

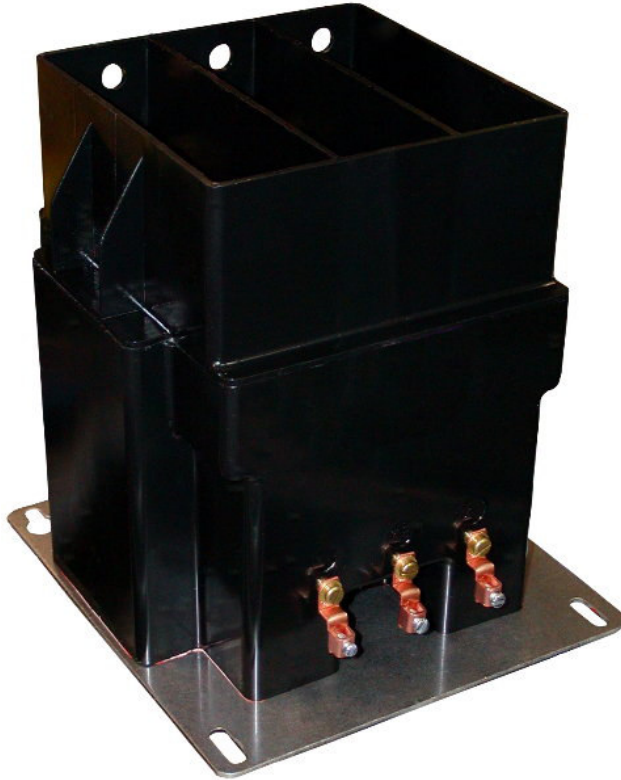


Medium Voltage Indoor Voltage Transformer Model 3PT3-60

REGULATORY AGENCY APPROVALS



Manufactured to meet the requirements of ANSI/IEEE C57.13.



ACCURACY CLASS:

0.3 WX, 0.6M, 1.2Y at 100% rated voltage with 120V based ANSI burden.

FREQUENCY:

60 Hz.

THERMAL RATING:

700 VA total 350 VA per phase, at 30°C. amb.

450 VA total, 225 VA per phase, at 55°C. amb.

STANDARD SECONDARY VOLTAGE:

120 volts.

MAXIMUM SYSTEM VOLTAGE:

5.6kV, BIL 60kV.

Primary terminals are No.10-32 brass screws with one flatwasher and lockwasher.

Approximate weight 38 lbs.

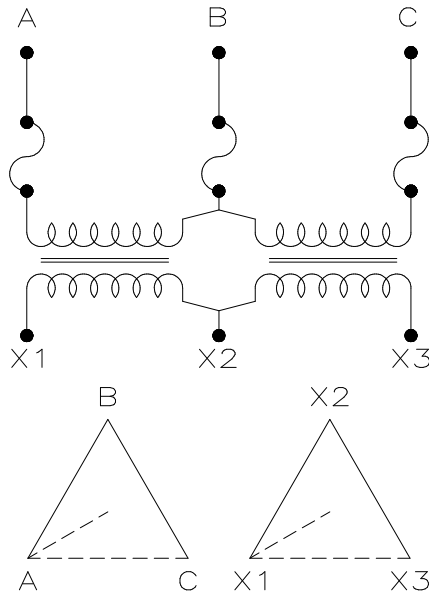
GROUP	CATALOG NUMBER FUSES	CATALOG NUMBER FUSES CLIPS ONLY	RATED PRIMARY VOLTAGE	RATIO	SUGGESTED FUSE RATING**
1	3PT3-60-242FFF	3PT3-60-242CCC	2400	20:1	1.0E
2	*3PT3-60-332FFF	* 3PT3-60-332CCC	3300	30:1	1.0E
2	3PT3-60-422FFF	3PT3-60-422CCC	4200	35:1	0.5E
2	3PT3-60-482FFF	3PT3-60-482CCC	4800	40:1	0.5E

* RATED 50/60Hz., 03W, 500 VA TOTAL @ 30°C, 350 VA TOTAL @ 55°C.

Model 3PT3-60

Connection Diagram

** See Page 32, Primary Fuse Rating
Fuse is 0.81" Diameter, 5.62" Long.

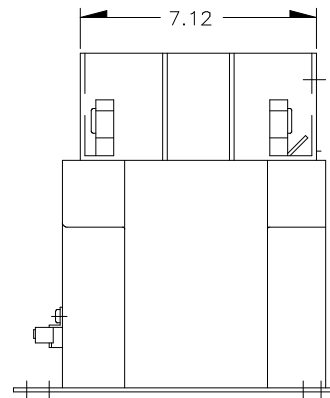
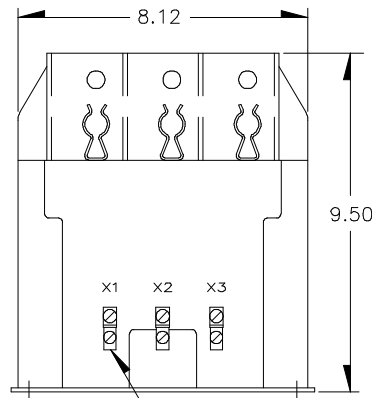
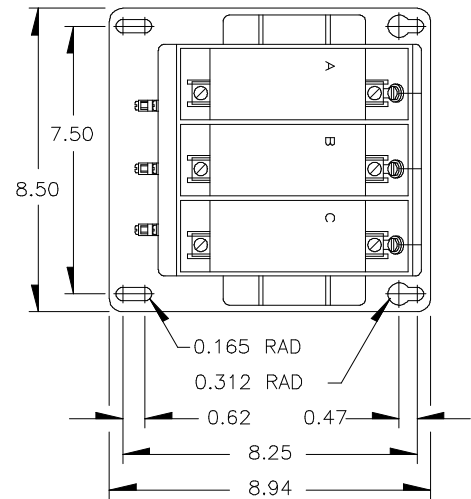
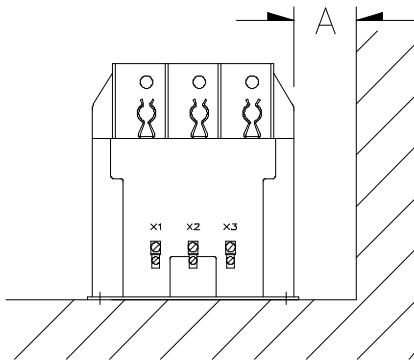


- The core and coil assembly is encased in a plastic enclosure and vacuum encapsulated in polyurethane resin.

RECOMMENDED MINIMUM SPACINGS

A = Case to Ground = 1.50" minimum.

Recommended spacing are for guidance only. User needs to set appropriate values to assure performance for high potential test, impulse test, high humidity, partial discharge, high altitude, and other considerations like configuration.



SINGLE HOLE SOLDERLESS
LUGS FOR #6 THRU #14 WIRE