

Crompton Programmable Digital meter

True RMS indicator

Model Type: 262-30A

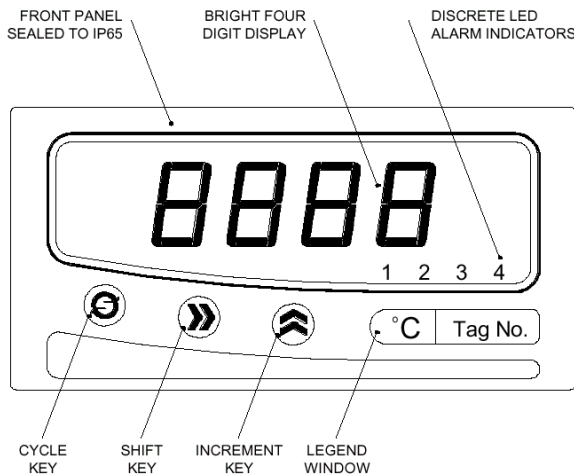
Installation and Operating Instructions

1.0 GENERAL

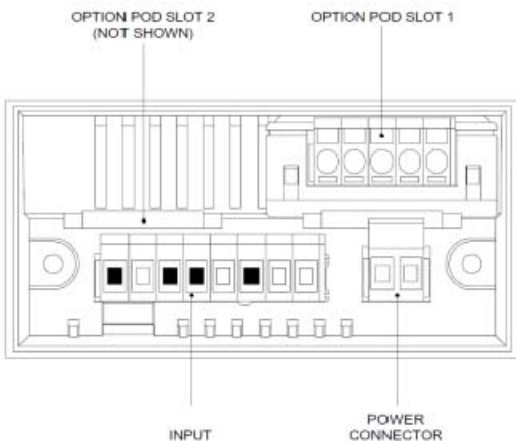
The unit is a highly accurate and stable digital indicator for displaying AC/DC current or voltage in true RMS. The unit can be used "stand alone" or, with the Modbus serial communications module option, as part of a larger system.

The case design enables option Modules to be easily installed without the need for dismantling or re-calibration. A range of Modules are available for:

Relay outputs	262-RLY
Isolated Analogue Output	262-ALG
Modbus serial communication.	262-MOD



The diagram shows the rear panel positions for all electrical connections.



2.0 UNPACKING

Please inspect the instrument carefully for any signs of shipping damage. The packaging has been designed to afford maximum protection, however, we cannot guarantee that mishandling will not have damaged the instrument. In the case of this unlikely event, please contact your supplier immediately and retain the packaging for subsequent inspection.

3.0 INSTALLATION

THIS SECTION FOR USE BY COMPETENT PERSONNEL ONLY

3.1 Safety Information

READ SAFETY INFORMATION BELOW BEFORE INSTALLATION

WARNING

Hazardous voltages may be present on the terminals the equipment must be installed by suitably qualified personnel and mounted in an enclosure providing protection to at least IP20.

ISOLATION

The power supply terminals and associated internal circuitry are isolated from all other parts of the equipment in accordance with BS EN61010-1 for connection to a Category II supply (pollution degree 2).

Functional isolation (500v max) is provided between input and output circuits, and between inputs and communications (where fitted).

Any terminals or wiring connected to the input, output or communications terminals which are accessible in normal operation must ONLY be connected to signals complying with the requirements for Safety extra low voltage (SELV) circuits.

WARNING

If not installed in accordance with these instructions, protection against electrical hazards may be impaired.

Installation overvoltage category - 2 (as per BS EN61010-1)

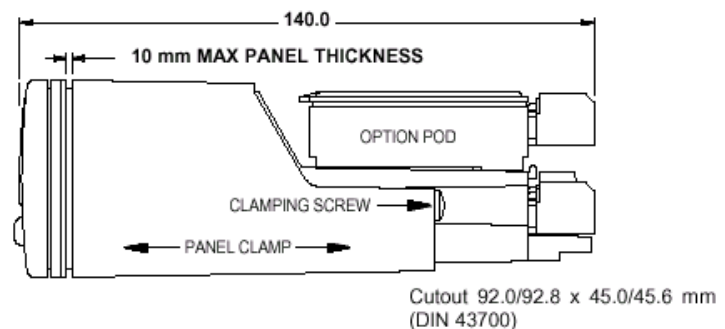
The Mains supply to the equipment must be protected by an external 1 Amp fuse and a suitable switch or circuit breaker which should be near the equipment.

The equipment contains no user serviceable parts.

Display on – all elements on to check display

Display toggle - Each element is turned on and off

3.2 Installing Into a Panel



Refer to section 8.0 for Mechanical Detail.

The maximum panel thickness is 10mm. The instrument case has an integral gasket which forms a seal when the instrument is tightened against the panel. The panel should be clean, smooth and at least 1.6mm thick for the seal to be effective.

WARNING Use only the retaining screws provided to clamp the instrument to the panel (screws must be tightened sufficiently to effect a seal but **must never be overtightened**).

3.3 Wiring

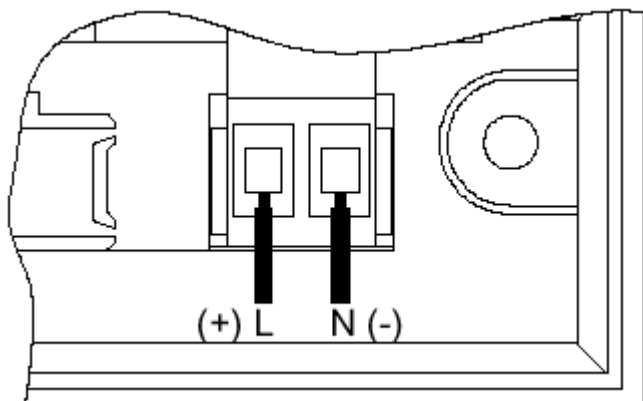
All connections are made to sockets which are removable for ease of maintenance.

Installation should be undertaken in accordance with relevant sections of BS6739 - British Standards code of practice for "Instrumentation in Process Control Systems: Installation design and practice".

3.4 Power Supply

The Power supply rating will be indicated on the top of the instrument, **ensure it is correct for the application**. The Mains supply to the equipment must be protected by an external 1 Amp fuse and a suitable switch or circuit breaker which should be near the equipment.

Wires are retained by screws. Ensure that the exposed section of the wire is fully inserted and that no loose strands are exposed.



3.5 Input Connections

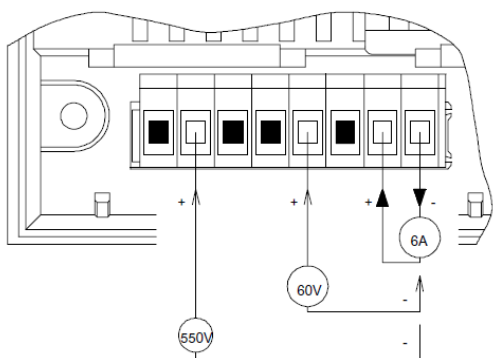
All input connections are made via the eight way socket at the rear of the unit (wire size 0 to 2.5mm²).

Insert small screwdriver blade into tension clamp orifice, **(1)** push and twist to deflect clamp into open position. Do not lever screwdriver thus forcing connector body sideways. Insert conductor tail sufficiently into **(2)** then release screwdriver.

Ensure no loose wire strands protrude.

Isolation

The input is isolated by 3500V from the indicator circuitry and from the output options.



Connect only one input at any time to the indicator. Wherever possible connect the neutral side or circuit common to the input - terminal.



Ensure power is disconnected prior to wiring.

4.0 PROGRAMMING THE INSTRUMENT

The unit is a microprocessor based instrument enabling it to satisfy a variety of applications. All programming is available from the front panel or via a PC using the RS485 Modbus communications module.

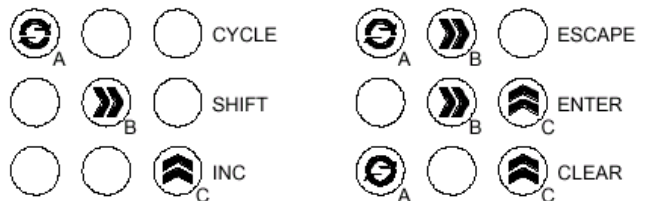
4.1 Programming Guide

The unit has three operating modes. These are :

RUN (DISPLAYS PROCESS VARIABLE)

MENU

EDIT



RUN is the principal mode of operation, which displays the Process Variable from which all other modes are accessed. The unit will always time-out back to this mode after one minute.

MENU mode provides access to the programmable parameters.

EDIT mode is entered from Menu Mode and allows the user to inspect and modify a parameter.

4.2 Key Definitions

The indicator is programmed using the three front panel keys, A,B and C are shown to assist the tutorial.

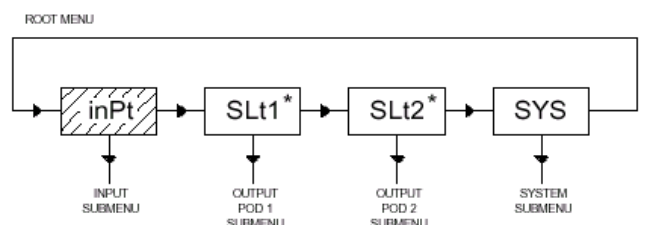
CYCLE (A), SHIFT (B) and INC (C) keys are pressed singularly.

ESCAPE (A&B), ENTER (B&C) and CLEAR (A&C) are obtained by simultaneously pressing the two keys.

4.3 Entering Menu Mode

The Root Menu mode is accessed from "Run" by pressing ENTER (B&C) followed by CYCLE (A). The display will now show "inPt". In order to understand what this means, the following diagram shows where we are within the basic Root menu.

* Slot menus only appear when respective option modules are fitted.



4.3.1 Moving Around The Menu

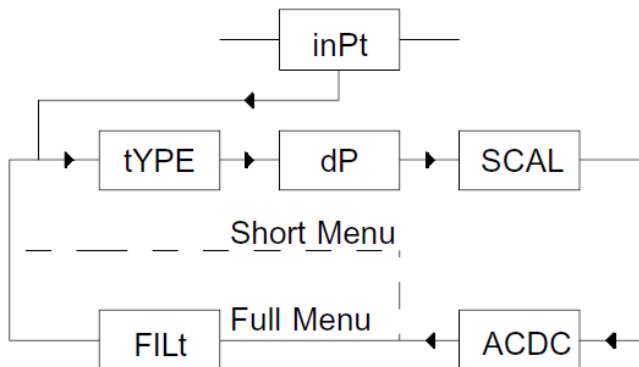
One can browse through the Root menu by pressing **CYCLE (A)** which moves the menu position from left to right (after reaching SYS, the menu position wraps around to the start).

4.3.2 Entering A Submenu

To enter a submenu, first cycle around the Root menu until the required submenu is displayed. For the purposes of this tutorial press the **CYCLE (A)** key until InPt is displayed. Pressing **SHIFT (B)** enters the Input Submenu.

tYPE will now be displayed. The diagram shows our position in relation to other items in the menu.

Pressing **CYCLE (A)** moves left to right, wrapping around at the end. The unit alters items in the menu list depending upon settings made.



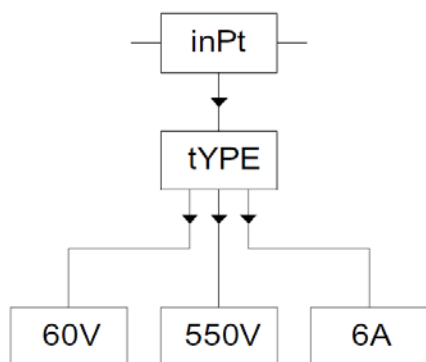
4.3.3 Editing A Parameter

The items displayed in the menu can either be submenus, parameters or numbers, most of the items in the Inputs menu are parameters which can be edited.

Press the **CYCLE (A)** key until tYPE is displayed, then press **SHIFT (B)**.

The current setting will now be shown flashing. This item is changed by pressing the **INC (C)** key.

The choice of options available is as follows:



Press the **INC (C)** key until "60V" is displayed.

4.3.3 Editing A Parameter continued

Note that whilst the display is flashing, the option on the display has not been saved to memory. To select an option, the ENTER key sequence is used. Press ENTER (B&C). The display will stop flashing momentarily before returning to Menu mode. The system automatically steps on to the next entry to speed the process of programming. This method of editing parameters is repeated throughout the menu structure.

4.3.4 Returning From Submenus

To return up from the inPt menu to the root menu wait for 1 minute or press the ESCAPE (A&B) key.

Pressing the ESCAPE key from our current position in the Inputs submenu takes us back to the Root menu. The menu position will automatically step to the next menu item, if no modules are fitted the unit will show SYS, if modules are fitted SLt1 or SLt2 will be shown.

The Root menu, as its name suggests is not a submenu. Pressing the ESCAPE (A&B) key sequence whilst in the Root menu will take the user out of Menu mode and into Run mode. Thus the process variable will be shown on the display. Refer to section 5.2 if an error code is shown after programming in menu mode.

4.4 The Menus

4.4.1 The INPt (INPUT) Submenu

The INPt submenu is used to program all the characteristics of the input sensor and any signal conditioning that may be required. The selection of an option in the list may affect items further down. Therefore, during programming, the user should start at the top of the menu and work down, to avoid setting an option which may later become obsolete. Short menu items shown in bold.

TITLE	OPTIONS	DETAIL
tYPE	60V, 550V, 6A	Input Type selection
dP	888.8, 88.88, 8.888, 8888	decimal point location
ScAL	User defined scale	Multiplying factor applied to input
ACDC	AC, DC AC / DC	Selector
Filt	nonE, 2.5, 10.5,	Adaptive Input Filtering or Smoothing

4.4.2 The SyS (System) Submenu

TITLE	OPTIONS	DETAIL
LiSt	FuLL, SHrt	Selects full or short menu
cLEn	oFF, on	Clear enable (option pods)
SPEn	oFF, on	Setpoint enable (option pods)
AdEL	oFF, 2,5,10,20, 60,120,240	Power-up alarm delay
PASS	4 digit passcode	Modify any password code
oFFS	User defined offset	Take care when replacing sensor

Refer to section 7.0 for SLt menu structures.

5.0 OPERATION

5.1 Run Mode Operation

The normal display shown in this mode is the process variable.

KEYPRESS	ACTION
CYCLE (A)	View setpoints (Adjust value if SPEn enabled)
CLEAR (A&C)	Reset relay latch and peak-valley (cLEn enabled)
SHIFT (B)	View peak memory
INC (C)	View valley memory

5.2 Failure Modes

If the instrument detects an input, configuration or system error the effect upon the display and any output options fitted will be determined by the burnout setting in the input menu. These are summarised below.

Burnout	Display	Alarms	Retran
Upscale		All on	22mA
Downscale		All off	0mA

6.0 SPECIFICATION @20 °C

Waveform Type 1V Peak	Crest Factor (V Peak/ V RMS)	True RMS Value	Mean Value Calibrated to read RMS	% Error in Mean circuit*
Pure Sine Wave	1.41.	0.707	0.707	0%
Symmetrical Square Wave	1	1	1.11	0.5%
Pure Triangle Wave	1.73	0.577	0.555	0.5%
SCR Waveforms 50% Duty Cycle 25% Duty Cycle	2 4.7	0.495 0.212	0.354 0.15	2.2%

6.1. Input Specification

Accuracy	0.1% of rdg/ ±0.1%FSD
Thermal Drift	0.02% / °C
Input Impedance	550V 10mΩ 60V 1mΩ 6A 0.02Ω
Isolation	3.5KV
Ranges	±550Vdc ; 550Vac ±60Vdc ; 60Vac ±5A ; 5Aac

6.2 General Specification @ 20 °C

Input/Output Isolation	3.5kVAC rms (galvanically isolated)
Update time	250 mS maximum
Time Constant (Filter off)	<1 second (to 63% of final value)
Filter Factor	Off, 2 Seconds, 10 Seconds or Adaptive
Warm-up time	2 minutes to full accuracy
Display Range	-999 to 9999
Power Supply	S1 90-253 VAC 50/60 Hz S2 20-35 VDC; 24Vac ±10%
Power Consumption	6VA Maximum (options fitted)

Environmental

Sealing to PANEL	IP65
Ambient Operating Range	-30 to +60 °C
Ambient Storage Temperature	-50 to +85 °C
Ambient Humidity Range	10 to 90% RH non condensing

APPROVALS

EMC Emissions BS EN50081-1

Susceptibility BS EN50082-2

ELECTRICAL SAFETY BS EN61010-1

UL pending

Environmental Approvals for Tension Clamp Terminals

Low Temperature	IEC 68-2-1
Dry Heat	IEC 512-6-9
Damp Heat	IEC 512 -6-3
Damp Heat cyclical	IEC 68-2-30
Salt Spray	IEC 512-6-6
Sulphur Dioxide	IEC 68-2-46
Hydrogen Sulphide	IEC 68-2-16
Gas Tightness	IEC 512-Pr.11n

7.0 OPTION MODULES

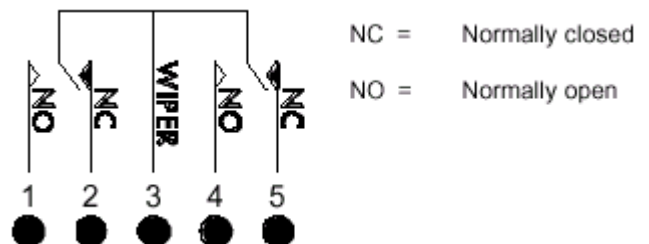
7.0.1 Installing Modules

Power must be removed from unit before adding/removing a module.

Slot 1 (alarm 1 and 2) should be positioned on the left side of the unit looking from the front to correspond to front panel alarm indicator, slot 2 (alarm 3 and 4) is positioned on the right.

7.1 262-RLY Dual Relay Module

The relay module has two "change over" relays with a common wiper.



7.1.1 SLT1, SLT2 (Relay Module) Submenu

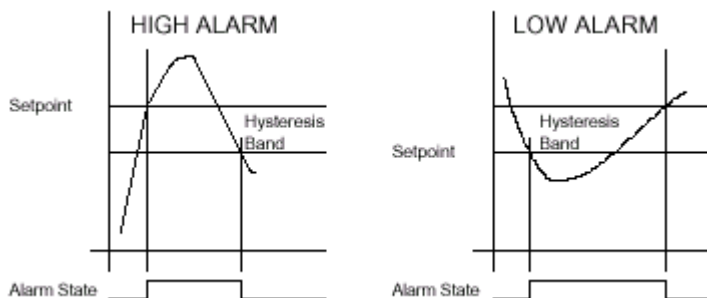
Each relay can be set as high or low alarm independently.

TITLE	OPTIONS	DETAIL
AL1	Hi, Lo	Alarm action
SEt1	User defined	PV at which the alarm triggers
HYS1	User defined	Hysterisis band (see below)
LAt1	oFF, on	Sets latching to on or off
inUI	oFF, on	Invert relay operation

Continues through for Relays 2 - 4 (when fitted).
Short menu items shown in bold.

7.1.1 SLT1, SLT2 (Relay Module) Submenu *continued*

Hysteresis Operation



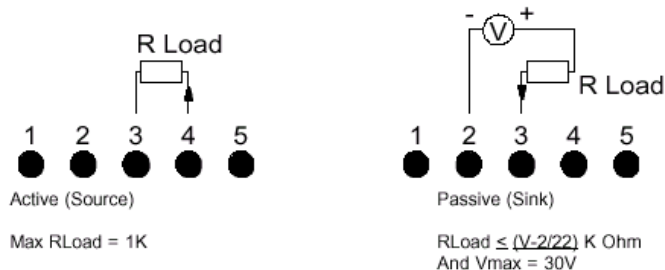
7.1.2 Relay Specification

	AC	DC
Maximum Load	7A @ 250V	7A @ 30V
Maximum Power	1750VA	210W
Maximum Switching	250V	125V
Electrical Life	10 ⁵ operations at rated load	
Mechanical Life	50 Million operations	

7.2 262-ALG, Isolated Analogue Output Module

The re-transmission module (when fitted) is designed to provide 0-10mA,

0-20mA or 4-20mA output in active or passive modes. The output can be any portion of the display. The module can be used in two modes:



Note: Only one analogue output module can be fitted.

7.2.1 SLT1, SLT2 (Re-transmission Pod) Submenu

TITLE	OPTIONS	DETAIL
SPan	4-20mA, 0-20mA, User defined output current	0-10mA
rt lo	User defined	Low span range, to match display
rt HI	User defined	High span range, to match display

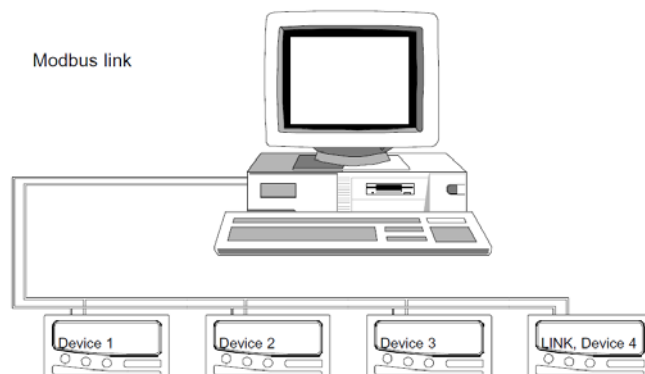
7.2.2 Re-Transmission Pod Specification

Minimum Current Output	> 0mA
Maximum Current Output	< 23mA
Accuracy	0.07% or 5µA, which ever is greater
Maximum External Power Supply	30V (passive mode)
Voltage Effect	0.2µA / V

Ripple Current	<3µA
Isolation	500V AC
Temperature Stability	1µA / °C

7.3 Modbus Serial Communications Pod. POD-3000/05

The diagram below shows a PC connected to Modbus pods.



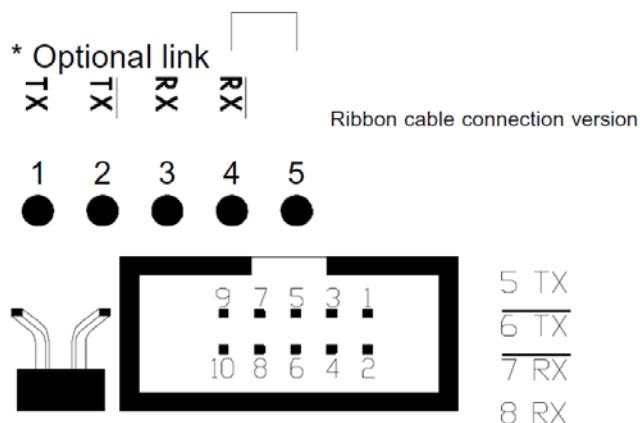
7.3.1 SLT1, SLT2 (Communications) Submenu

TITLE	OPTIONS	DETAIL
Addr	User defined	Instrument device number
baud	9.6, 19.2	User selected baud rate
Line	2, 4	4 Wire or 2 wire half duplex RS 485

7.3.2 Comms Pod Specification

Configuration, system I/O and display unit PC communication.

Physical Layer	4 wire or 2 wire half duplex RS485
Isolation	500V AC
Maximum Fan out	32 units
Software Baud Rate	19,200 or 9,600
Protocol	Modbus RTU format



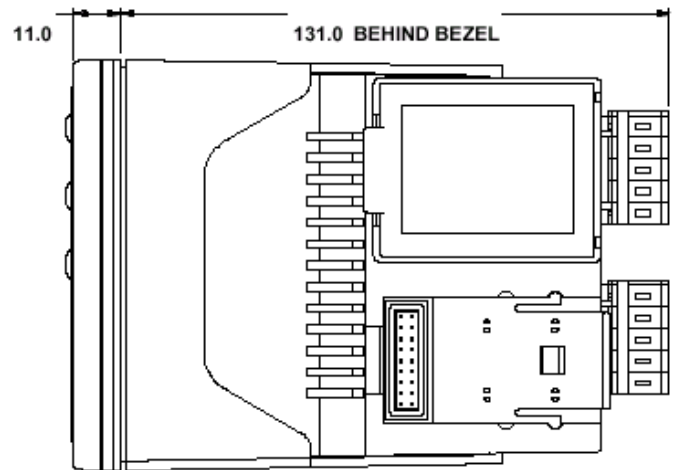
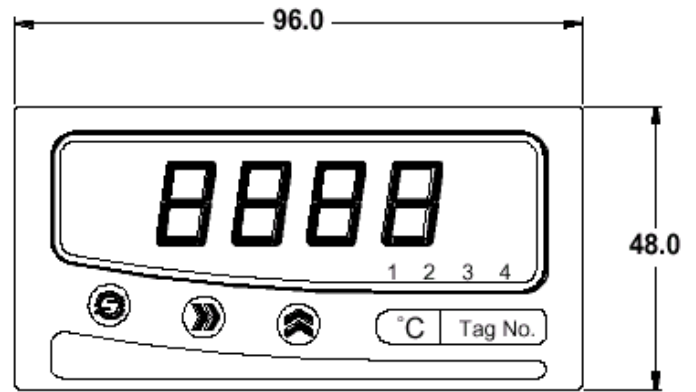
* Optional link

* Connection of the link connects a 100 ohm termination resistor across pins 7 and 8. This resistor should only be selected for the instrument furthest away from the host.

Full details of the modbus protocol are supplied separately with the pod.

8.0 MECHANICAL DETAIL

Material	ABS/PC
Weight	200g
Flammability	IEC707 FV0
Module weight	40g typical
Panel cutout	92mm x 45mm



While TE Connectivity (TE) has made every reasonable effort to ensure the accuracy of the information in this catalogue, TE does not guarantee that it is error-free, nor does TE make any other representation, warranty or guarantee that the information is accurate, correct, reliable or current. TE reserves the right to make any adjustments to the information contained herein at any time without notice. TE expressly disclaims all implied warranties regarding the information contained herein, including, but not limited to, any implied warranties of merchantability or fitness for a particular purpose. The dimensions in this catalogue are for reference purposes only and are subject to change without notice. Specifications are subject to change without notice. Consult TE for the latest dimensions and design specifications. TE Connectivity and TE Connectivity (logo) are trademarks. CROMPTON is a trademark of Crompton Parkinson Limited and is used under licence. Other trademarks are property of their respective owners.