

016 SERIES FIESTA PANEL INDICATORS



A robust range of 3.5 inch surface mount panel meters offering IP55 PROTECTION and featuring a wide view contoured window. The Fiesta range includes iron vane and moving coil AC and DC ammeters and voltmeters, elapsed time meters and frequency meters and is ideally suited for demanding environments. Options include Panel Gasket and Terminal Boots for rear terminal protection.

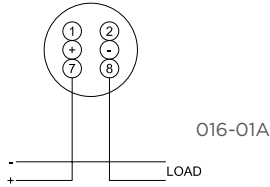
Approvals: CSA File No. 242615, cRU File No. E203000(for 016-155/156)

Specifications - Elapsed Time Meter and Frequency Meters

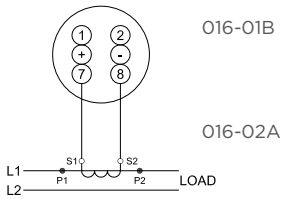
Voltage:	100/125V, 200/250V or 480V AC
Frequency:	50Hz or 60Hz
Burden:	4VA maximum
Operating temperature:	-20°C to +65°C (-4°F to +149°F)
Storage temperature:	-30°C to +70°C (-22°F to +158°F)

Connections

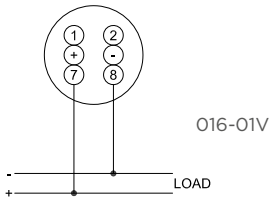
AMMETER DC
Direct connected (max rating 30A)



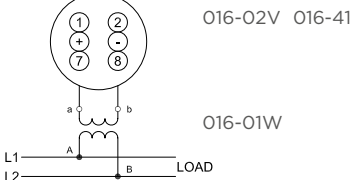
AMMETER AC



VOLTMETER DC
Direct connected (max rating 800V)



**VOLTMETER AC/
FREQUENCY METER**
V.T. operated



Specifications - Iron Vane AC Ammeter and Voltmeter

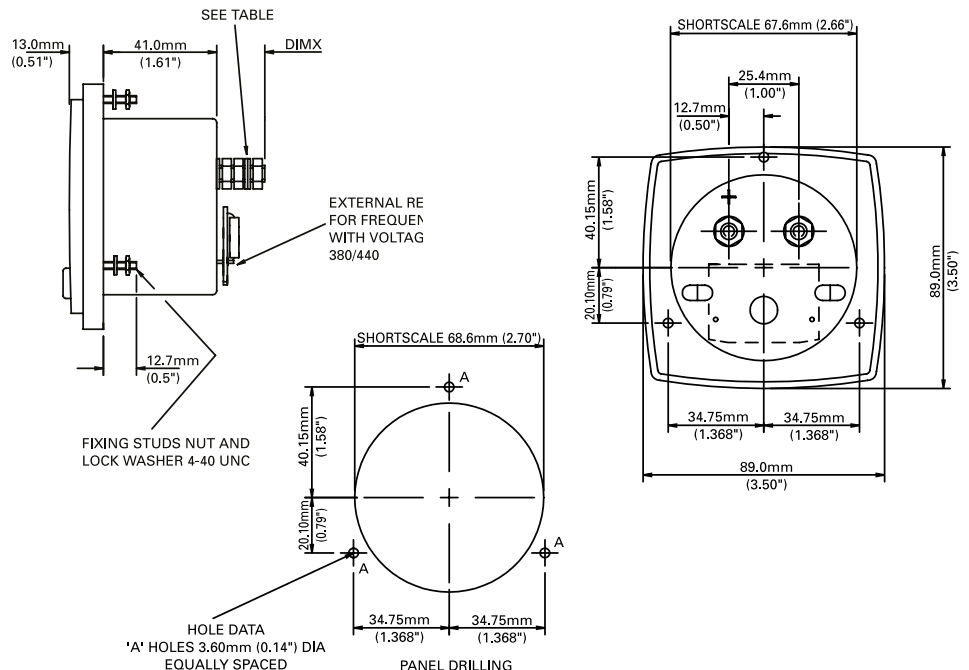
Accuracy:	Ammeters 2.5%
Ratings:	Short-scale 1 - 80A
Voltmeters:	10V - 600V
Overload:	Ammeters: x1.2 for 2 hours, 10 x for 5 seconds
Voltmeters:	x1.2 for 2 hours, 2 x for 5 seconds
Burden:	Ammeters: 0.5VA; 1.5VA
Voltmeters:	4.5VA maximum
Operating temperature:	-20°C to +65°C (-4°F to +149°F)
Storage temperature:	-30°C to +70°C (-22°F to +158°F)

Specifications - Moving Coil DC Ammeter and Voltmeter

Accuracy:	1.5
Ratings:	Ammeters: 100µA to 30A
Voltmeters:	50mV - 600V
Overload:	Ammeters: x1.2 for 2 hours, 10 x for 5 seconds
Voltmeters:	x1.2 for 2 hours, 2 x for 5 seconds
Impedance:	Voltmeters: 1000 ohms per nominal volt
Operating temperature:	-20°C to +65°C (-4°F to +149°F)
Storage temperature:	-30°C to +70°C (-22°F to +158°F)

Dimensions

Instrument	Dim X inches	Dim X mm
MC. INSTS	1/4"-28 UNF	18.0
MI voltmeter and AMM up to 59A	1/4"-28 UNF	18.0
MI ammeter 60A and over	5/16"-24 UNF	23.0



Approvals:

CSA File No. 242615

cRU File No. E203000 (For 016-155/156)



AC Ammeter

AC Ammeter

Product Codes - True RMS Reading, Self Contained 50/60Hz

Rating	Scaling	Cat. no.
5A	0-5A	•016-02A*-LMLS-C7
10A	0-10A	•016-02A*-MTMT-C7
15A	0-15A	•016-02A*-NDND-C7
20A	0-20A	•016-02A*-NGNG-C7
30A	0-30A	•016-02A*-NLNL-C7
5A	Transformer rated	•016-02A*-LS**-C7

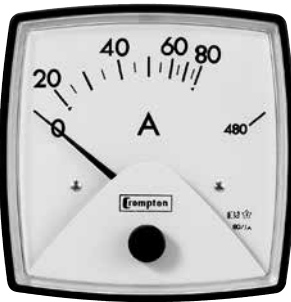
1 A Transformer rated
Product Codes - Moving Coil Rectified

100µA - 1A	To suit	•016-01B*-
------------	---------	------------

AC Overload Ammeter

Product Codes - True RMS Reading, Self Contained 50/60Hz

Rating	Scaling	Cat. no.
5A	0-5-30A	•016-026*-LMLS-C7
10A	0-10-60A	•016-026*-MTMT-C7
15A	0-15-90A	•016-026*-NDND-C7
20A	0-20-120A	•016-026*-NGNG-C7
30A	0-30-180A	•016-026*-NLNL-C7
5A	Transformer rated	•016-026*-LS**-C7



AC Overload Ammeter

AC Voltmeter

Product Codes - True RMS Reading

Rating	Scaling	Cat. no.
150V	0-150V	•016-02V*-PZPZ-C7
300V	0-300V	•016-02V*-RXRX-C7
600V	0-600V	•016-02V*-SJSJ-C7
150V	Transformer rated	•016-02V*-PZ**-C7

Product Codes - Moving Coil Rectified

15-600V	To suit	•016-01W*-
---------	---------	------------

DC Ammeters

Product Codes

Rating	Scaling	Cat. no.
0-50mV	To suit	•016-01A*-EC**
0-1mA	To suit	•016-01A*-FA**
0-5mA	To suit	•016-01A*-FX**
0-10mA	To suit	•016-01A*-HA**
0-20mA	To suit	•016-01A*-HF**

100-0-100 uA To suit 016-01CA-EA**

Suppressed Zero

Product Codes - Milliammeters - No Zero Set Unless Specified

Rating	Scaling	Cat. no.
4/20mA	To suit	•016-01RA*-HG**

Product Codes - Voltmeter - No Zero Set Unless Specified

1-5V	To suit	016-01S*-LM**
------	---------	---------------



AC Voltmeter

* Please state A or B at time of ordering. A = ANSI B = BS89

** Customer must state required scaling at time of ordering.

• UL approved



DC Voltmeter

DC Voltmeters

Product Codes – Sensitivity 1000Ω/V

Rating	Scaling	Cat. no.
0-15V	0-15V	•016-01V*-NDND
0-30V	0-30V	•016-01V*-NLNL
0-50V	0-50V	•016-01V*-NTNT
0-150V	0-150V	•016-01V*-PZPZ
0-300V	0-300V	•016-01V*-RXRX
0-600V	0-600V	•016-01V*-SJSJ



Frequency Meter

Frequency Meters

Product Codes – 120V, Self Contained

Rating	Scaling	Cat. no. standard case
50Hz centre frequency, -0.15 accuracy	45-55Hz	•016-41S*-PNAG-AG
55Hz centre frequency, -0.25 accuracy	45-65Hz	•016-41S*-PNAJ-AJ
60Hz centre frequency, -0.15 accuracy	55-65Hz	•016-41S*-PNAN-AN
400Hz centre frequency, -1.25 accuracy	360-440Hz	•016-41S*-PNBI-BI

Elapsed Time Meters

Product Codes – 99999.99 hours, Non-resettable

Rating	Scaling	Cat. no. standard case
110/130V, 50Hz	-	•016-155*-PNZH-C5
200/250V, 50Hz	-	•016-155*-RNZH-C5
480V, 50Hz	-	•016-155*-SEZH-C5
110/130V, 60Hz	-	•016-156*-PNZH-C6
200/250V, 60Hz	-	•016-156*-RNZH-C6
480V, 60Hz	-	•016-156*-SEZH-C6

Transducer Indicators

Product Codes – DC Milliamp Rated

Rating	Scaling	Cat. no. standard case
Speed	To suit	016-012*
Frequency	To suit	016-013*
Phase angle	To suit	016-014*
Watts	To suit	016-015*
VArS	To suit	016-016*
VA	To suit	016-017*

* Please state A or B at time of ordering. A = ANSI B = BS89

** Customer must state required scaling at time of ordering.

• UL approved



Elapsed Time Meter