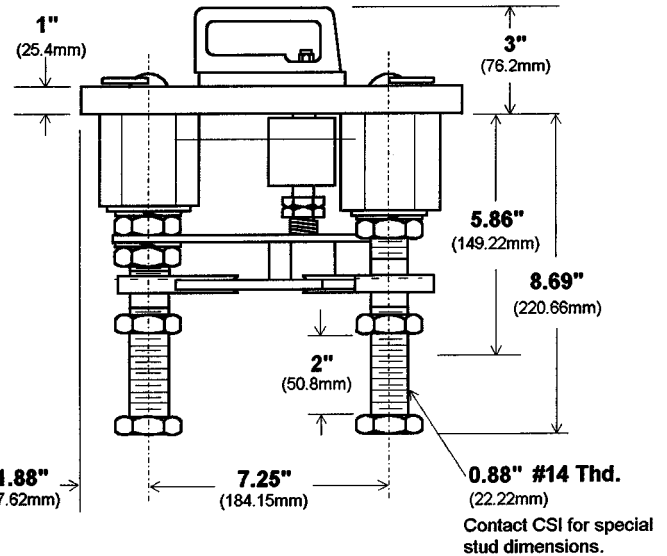
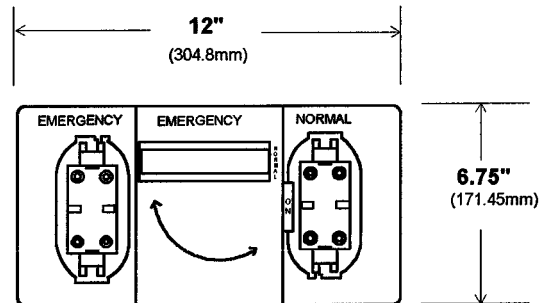


Telecom Fused Disconnects

TYPE: TPL-62-6001-00 – 145 Vdc, 70-600 Amps / 60 Vdc, 800 Amps

- Two TPL 61-6001 mounted on a common insulating base
- With related bus and switching mechanism



Switch Characteristics

Current Rating: 70-600 Amps / 800 Amps

Voltage Rating: 145 Volts DC / 60 Volts DC

Switching: 1000 cycles @ 100% rated current
 50 cycles @ 150% rated current
 5 cycles @ 600% rated current

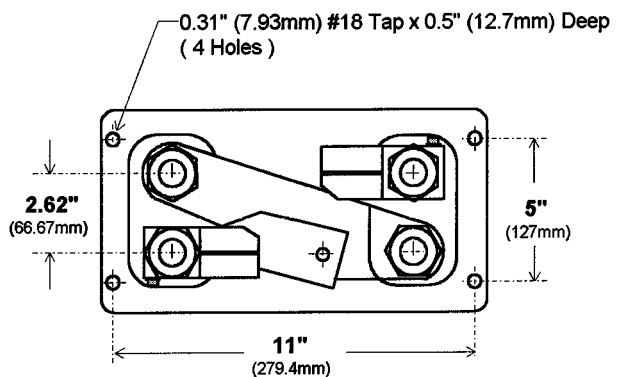
UL Withstand Rating: 100,000 Amps

Agency Approvals

UL Recognized, File E122674

Fuses

For use with Littelfuse® Type L17T
 or Telpower® Type TPL fuses



Please contact us for additional connection options.



Crompton Technology Inc.
 7536 Bath Road
 Mississauga, Ontario L4T 1L2
 T (905)671-2304
 F (905)671-3661
 info@cromptoncanada.com
 www.cromptoncanada.com