



## Current Transformer

## Model 170

**APPLICATION:**

Metering

**FREQUENCY:**

50-400 Hz.

**INSULATION LEVEL:**

600 Volts. 10 kV BIL. full wave

**WINDOW DIAMETER:**

4.25"

**APPROXIMATE WEIGHT:**

3 lbs.

**CONNECTIONS:**

-Flexible leads are UL 1015 105° C CSA approved, #16 AWG, 24" long

-Terminals are brass studs No. 8-32 UNC with one flat washer, lockwasher, and regular nut

-Also available as 170SHL with leads

Mounting kit 0221B00187



170SHT

170RL

Model	170SHT	170RL
Window Size	4.25	4.25
Width	6.73	6.73
Height	6.73	6.73
Depth	1.28	1.25

**CERTIFICATIONS:**



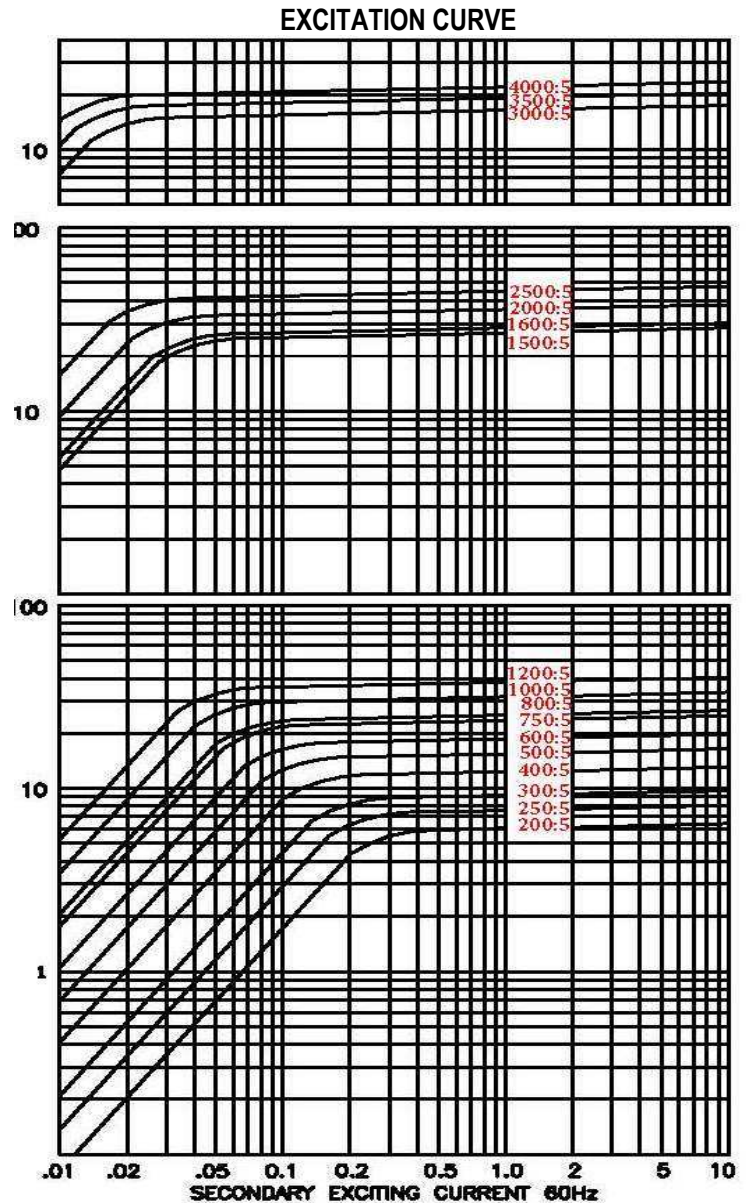
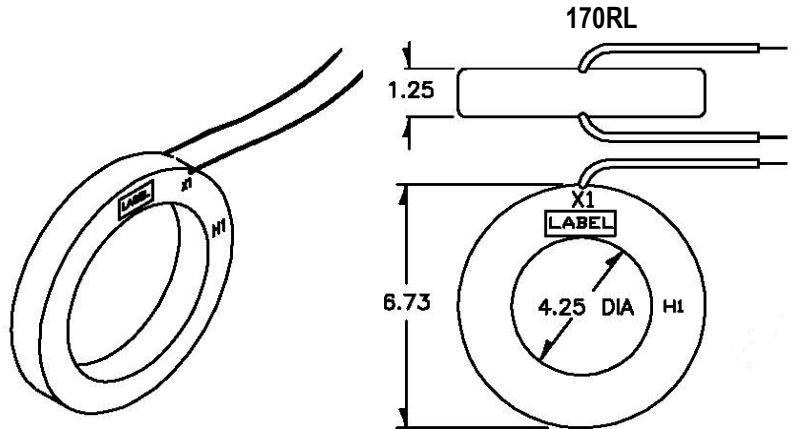
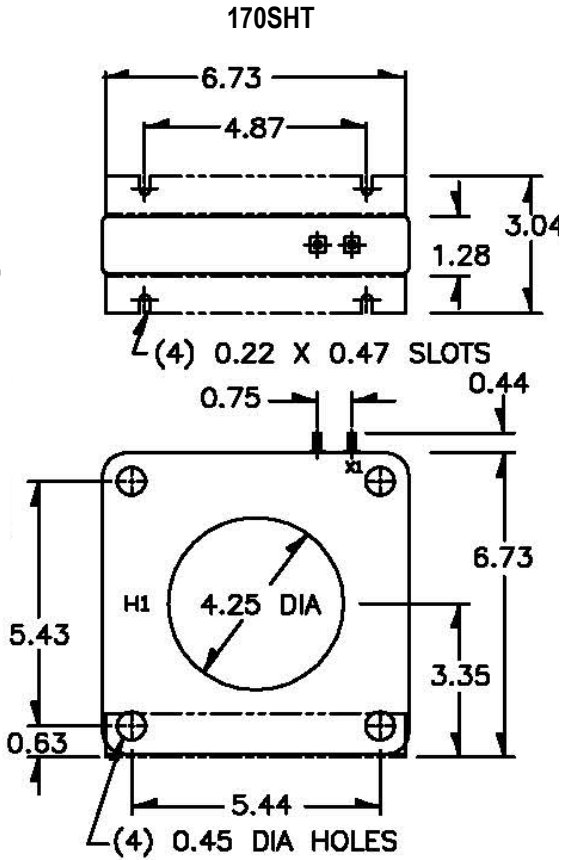
237637

**MODEL 170**  
Window Diameter 4.25"  
Approximate weight: 3 lbs.

CATALOG NUMBER	CURRENT RATIO	V.A. FOR + 1% CLASS	ANSI METERING CLASS AT 60 HZ					SECONDARY WINDING RESISTANCE (OHMS @ 75°C)	CONTINUOUS THERMAL RATING FACTOR	
			B0.1	B0.2	B0.5	B0.9	B1.8		@ 30°C	@ 55°C
170 **---201	200:5	5	0.6	1.2	2.4	-	-	0.040	2	2
170 **---251	250:5	5	0.6	0.6	1.2	2.4	-	0.047	2	2
170 **---301	300:5	12.5	0.6	0.6	1.2	2.4	-	0.053	2	2
170 **---401	400:5	25	0.3	0.3	0.6	1.2	2.4	0.080	2	2
170 **---501	500:5	25	0.3	0.3	0.6	1.2	1.2	0.110	2	1.5
170 **---601	600:5	25	0.3	0.3	0.6	0.6	1.2	0.121	2	1.5
170 **---751	750:5	40	0.3	0.3	0.3	0.6	0.6	0.151	2	1.5
170 **---801	800:5	50	0.3	0.3	0.3	0.6	0.6	0.162	2	1.5
170 **---102	1000:5	75	0.3	0.3	0.3	0.6	0.6	0.265	1.33	1
170 **---122	1200:5	100	0.3	0.3	0.3	0.3	0.6	0.318	1.33	1
170 **---152	1500:5	80	0.3	0.3	0.3	0.3	0.6	0.344	1.33	1
170 **---162	1600:5	90	0.3	0.3	0.3	0.3	0.6	0.367	1.33	1
170 **---202	2000:5	100	0.3	0.3	0.3	0.3	0.3	0.459	1	0.8
170 **---252	2500:5	130	0.3	0.3	0.3	0.3	0.3	0.573	1	0.8
170 **---302	3000:5	160	0.3	0.3	0.3	0.3	0.3	0.424	1	1
170 **---352	3500:5	190	0.3	0.3	0.3	0.3	0.3	0.495	1	0.8
170 **---402	4000:5	200	0.3	0.3	0.3	0.3	0.3	0.646	1	0.8

**Note: When ordering, prefix \*\* catalog # with model designation required, i.e. 170SHT-201, or 170RL-301**

Products are manufactured in a plant whose quality management system is certified / registered as being in conformity with ISO 9001



Products are manufactured in a plant whose quality management system is certified / registered as being in conformity with ISO 9001