

## Current Transformer

## Model 5

**APPLICATION:**

With ammeters, wattmeters and cross current compensation

**FREQUENCY:**

50-400 Hz.

**INSULATION LEVEL:**

600 Volts. 10 kV BIL. full wave

**WINDOW DIAMETER:**

1.56"

**APPROXIMATE WEIGHT:**

1.0 lbs.

**CONNECTIONS:**

- Flexible Leads are UL 1015 105°C, CSA approved #16AWG, 24" long
- Non-standard length to be specified
- Terminals are brass studs No. 8-32 UNC with one flat washer, lock washer, and regular nut
- SHT and SFT case style also available as SHL and SFL with leads
- Mounting bracket Part # 0221B00180



5RL



5SHT



5SFT

**CERTIFICATIONS:**



237637

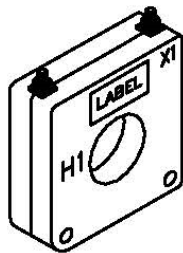
Model	5SHT	5SFT	5RL
Window Size	1.56	1.56	1.56
Width	3.53	3.53	3.56
Height	3.65	3.78	3.56
Depth	1.09	1.09	1.10

**MODEL 5**

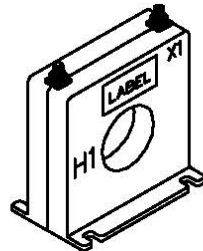
Window Diameter 1.56"  
Approximate weight: 1.0 lbs.

CATALOG NUMBER	CURRENT RATIO	ACCURACY AT 60 HZ	BURDEN VA AT 60 HZ
5**-500	50:5	± 2%	1
5**-750	75:5	± 2%	1.5
5**-101	100:5	± 2%	2
5**-151	150:5	± 1%	5
5**-201	200:5	± 1%	5
5**-251	250:5	± 1%	10
5**-301	300:5	± 1%	12.5
5**-401	400:5	± 1%	12.5
5**-501	500:5	± 1%	20
5**-601	600:5	± 1%	25
5**-751	750:5	± 1%	25
5**-801	800:5	± 1%	25
5**-102	1000:5	± 1%	25
5**-122	1200:5	± 1%	30

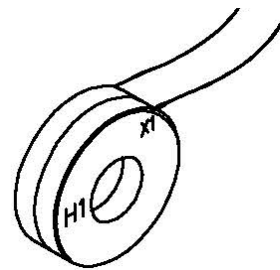
NOTE: WHEN ORDERING, PREFIX CAT NO. WITH MODEL DESIGNATION REQUIRED, I.E. 5SFT-500, 5RL-500, ETC.



5SHT

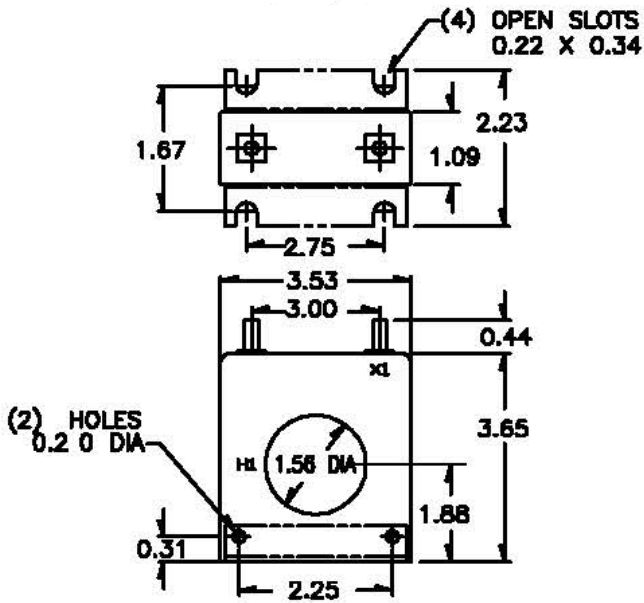


5SFT

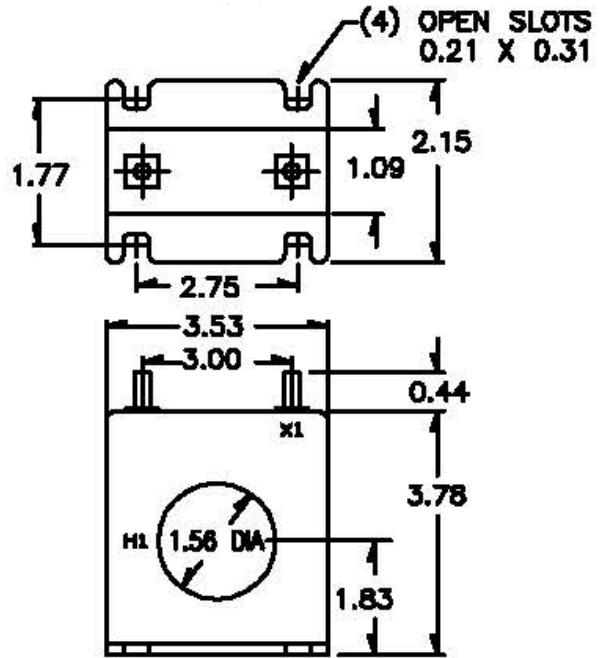


5RL

5SHT



5SFT



5RL

