

CURRENT TRANSFORMERS

Model 606 (Window Size: 2.75" x 2.70")

Application: Used for energy management systems and instrumentation.

Frequency: 50-400 Hz

CRUus E238872 CSAus 245941

Insulation Level: 600 Volts, 10Kv BIL Full Wave

Standards: CSA 66.1-06, CSA 66.2-06, IEEE C 57.13, and UL 506

- Secondary Cable: Sheilded #16 AWG, 72" long. Direct Burial, U.V. Res. U.L. Type TC. Non-standard lengths are available upon request.
- Approximate weight: 5 lbs

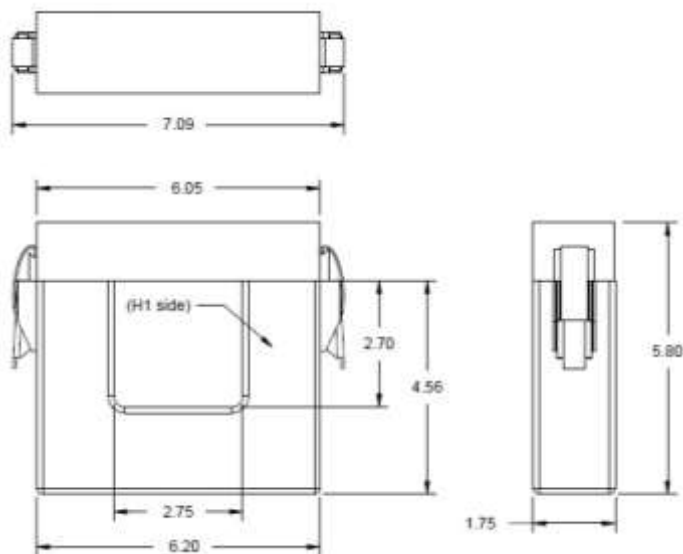
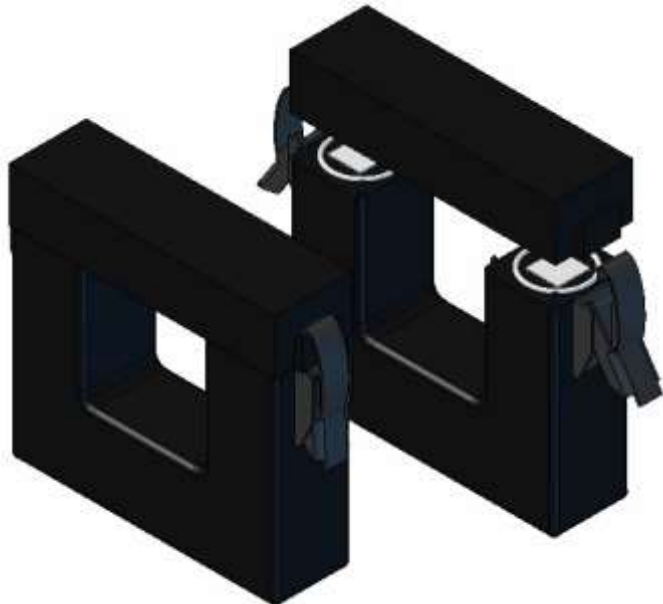


This current transformer is a weather proof design suitable for use outdoor. The transformer cases are UV stabilized thermoplastic and filled with polyurethane resin. The mating surfaces of the transformer case are protected by a gasket. Clamps are made of steel for extra durability.

These transformers are designed for assembly to an existing electrical installation without the need for dismantling the primary bus or cables.

Proper safety precautions must be followed during the installation by a trained electrical. Never install while the bus is energized.

Before energizing the current transformer, secondary must have a burden or be short circuited.



CURRENT TRANSFORMERS

Model 606 (Window Size: 2.75" x 2.70")

Catalog Number	Current Ratio	Burden VA at 60Hz	Accuracy at 60 Hz	Continuous Thermal Rating Factor	
				at 30°C	at 55°C
606*-201	200:5	2.5	2%	1.33	1.00
606*-251	250:5	3	1%	1.33	1.00
606*-301	300:5	3.5	1%	1.33	1.00
606*-351	350:5	4	1%	1.33	1.00
606*-401	400:5	5	1%	1.33	1.00
606*-501	500:5	6	1%	1.33	1.00
606*-601	600:5	8	1%	1.33	1.00
606*-751	750:5	10	1%	1.33	1.00
606*-801	800:5	12	1%	1.33	1.00
606*-102	1000:5	15	1%	1.33	1.00
606*-122	1200:5	20	1%	1.33	1.00

