

CURRENT TRANSFORMERS

Model 608 (Window Size: 2.60"x6.25")

Application: Used for energy management systems and instrumentation.

Frequency: 50-400 Hz

cRUus E238872 CSAus 245941

Insulation Level: 600 Volts, 10Kv BIL Full Wave

Standards: CSA 66.1-06, CSA 66.2-06, IEEE C 57.13, and UL 506

- Secondary Cable: Shielded #16 AWG, 72" long. Direct Burial, U.V. Res. U.L. Type TC. Non-standard lengths are available upon request.
- Approximate weight: 8 lbs



This current transformer is a weather proof design suitable for use outdoor. The transformer cases are UV stabilized thermoplastic and filled with polyurethane resin. The mating surfaces of the transformer case are protected by a gasket. Clamps are made of steel for extra durability.

These transformers are designed for assembly to an existing electrical installation without the need for dismantling the primary bus or cables.

Proper safety precautions must be followed during the installation by a trained electrical.

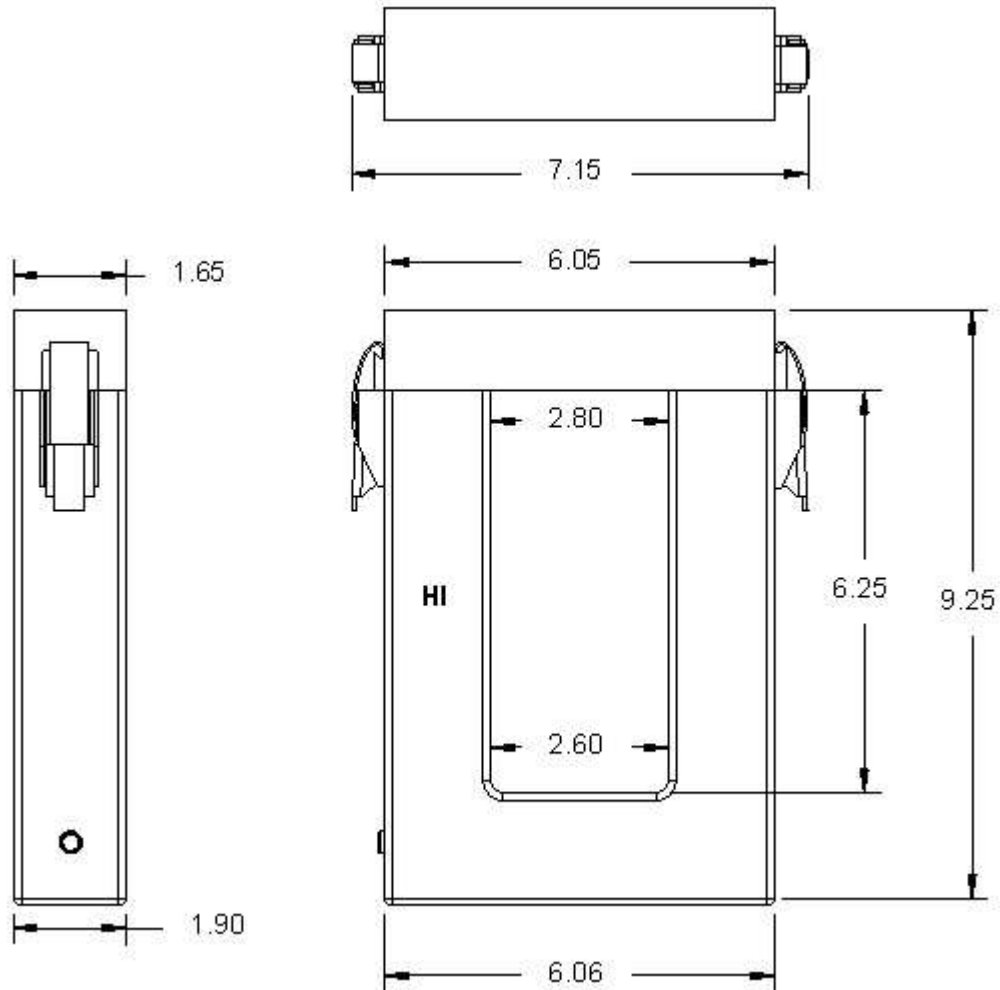
Never install while the bus is energized.

Before energizing the current transformer, secondary must have a burden or be short circuited.

Model	Ratio	ANSI METERING CLASS AT 60 Hz					VA +/-at 1% Class	Secondary Winding Resistance	Continuous Thermal Rating Factor	
		B0.1	B0.2	B0.5	B0.9	B1.8			at 30°C	at 55°C
608*-501	500:5	1.2	1.2	4.8	--	--	5	0.061	1.33	1.00
608*-601	600:5	1.2	1.2	4.8	4.8	--	8	0.085	1.33	1.00
608*-801	800:5	1.2	1.2	1.2	4.8	4.8	12	0.097	1.33	1.00
608*-102	1000:5	0.6	1.2	1.2	2.4	4.8	13	0.126	1.33	1.00
608*-122	1200:5	0.6	0.6	1.2	1.2	2.4	16	0.153	1.33	1.00
608*-152	1500:5	0.6	0.6	1.2	1.2	2.4	25	0.257	1.33	1.00
608*-162	1600:5	0.6	0.6	0.6	1.2	2.4	27	0.398	1.33	1.00
608*-202	2000:5	0.6	0.6	0.6	1.2	1.2	33	0.508	1.33	1.00
608*-252	2500:5	0.3	0.6	0.6	0.6	1.2	42	0.642	1.00	0.7
608*-302	3000:5	0.3	0.6	0.6	0.6	1.2	50	0.835	1.00	0.7
608*-322	3200:5	0.3	0.3	0.6	0.6	1.2	54	0.877	1.00	0.7

CURRENT TRANSFORMERS

Model 608 (Window Size: 2.60"x6.25")



*All dimensions are ± 0.05 in.

