

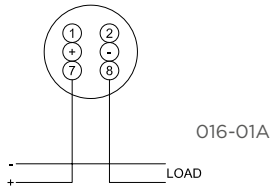
016 SERIES FIESTA PANEL INDICATORS



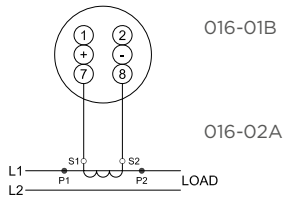
A robust range of 3.5 inch surface mount panel meters offering IP55 PROTECTION and featuring a wide view contoured window. The Fiesta range includes iron vane and moving coil AC and DC ammeters and voltmeters, elapsed time meters and frequency meters and is ideally suited for demanding environments. Options include Panel Gasket and Terminal Boots for rear terminal protection.

Connections

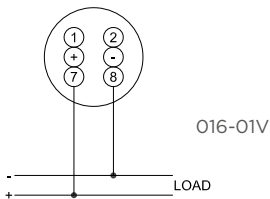
AMMETER DC
Direct connected (max rating 30A)



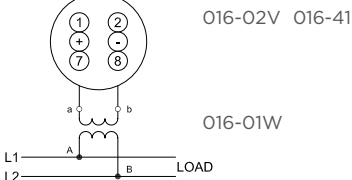
AMMETER AC



VOLTMETER DC
Direct connected (max rating 800V)



VOLTMETER AC/
FREQUENCY METER
V.T. operated



Specifications - Elapsed Time Meter and Frequency Meters

Voltage:	100/125V, 200/250V or 480V AC
Frequency:	50Hz or 60Hz
Burden:	4VA maximum
Operating temperature:	-20°C to +65°C (-4°F to +149°F)
Storage temperature:	-30°C to +70°C (-22°F to +158°F)

Specifications - Iron Vane AC Ammeter and Voltmeter

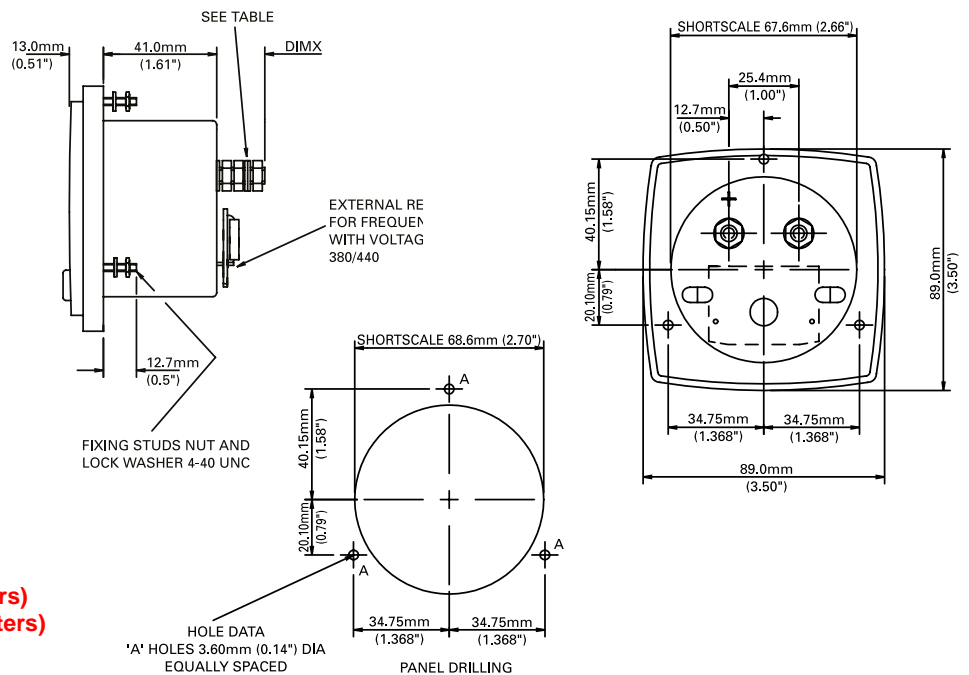
Accuracy:	Ammeters 2.5%
Ratings:	Short-scale 1 - 80A
Voltmeters:	10V - 600V
Overload:	Ammeters: x1.2 for 2 hours, 10 x for 5 seconds
Voltmeters:	x1.2 for 2 hours, 2 x for 5 seconds
Burden:	Ammeters: 0.5VA; 1.5VA
Voltmeters:	4.5VA maximum
Operating temperature:	-20°C to +65°C (-4°F to +149°F)
Storage temperature:	-30°C to +70°C (-22°F to +158°F)

Specifications - Moving Coil DC Ammeter and Voltmeter

Accuracy:	1.5
Ratings:	Ammeters: 100µA to 30A
Voltmeters:	50mV - 600V
Overload:	Ammeters: x1.2 for 2 hours, 10 x for 5 seconds
Voltmeters:	x1.2 for 2 hours, 2 x for 5 seconds
Impedance:	Voltmeters: 1000 ohms per nominal volt
Operating temperature:	-20°C to +65°C (-4°F to +149°F)
Storage temperature:	-30°C to +70°C (-22°F to +158°F)

Dimensions

Instrument	Dim X inches	Dim X mm
MC. INSTS	1/4"-28 UNF	18.0
MI voltmeter and AMM up to 59A	1/4"-28 UNF	18.0
MI ammeter 60A and over	5/16"-24 UNF	23.0



Approvals:

CSA file 242615
 (Input max 600 v ac or dc (for voltmeters)
 or Input max 50 amps ac (for ac ammeters)
 or max 30 amps dc (for dc ammeters)

cRU file E203000
 for 016-155/156 Elapsed Time Meters



AC Ammeter

AC Ammeter

Product Codes - True RMS Reading, Self Contained 50/60Hz

Rating	Scaling	Cat. no.
5A	0-5A	•016-02A ·LSLS-C7
10A	0-10A	•016-02A*-MTMT-C7
15A	0-15A	•016-02A*-NDND-C7
20A	0-20A	•016-02A*-NGNG-C7
30A	0-30A	•016-02A*-NLNL-C7
5A	Transformer rated	•016-02A*-LS**-C7

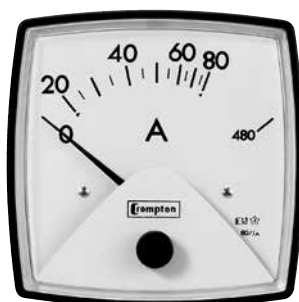
** SEE ATTACHED FOR PART NUMBERS

AC Overload Ammeter

Product Codes - True RMS Reading, Self Contained 50/60Hz

Rating	Scaling	Cat. no.
5A	0-5-30A	•016-026*-LSLS-C7
10A	0-10-60A	•016-026*-MTMT-C7
15A	0-15-90A	•016-026*-NDND-C7
20A	0-20-120A	•016-026*-NGNG-C7
30A	0-30-180A	•016-026*-NLNL-C7
5A	Transformer rated	•016-026*-LS**-C7

** SEE ATTACHED FOR PART NUMBERS



AC Overload Ammeter

AC Voltmeter

Product Codes - True RMS Reading

Rating	Scaling	Cat. no.
150V	0-150V	•016-02V*-PZPZ-C7
300V	0-300V	•016-02V*-RXRX-C7
600V	0-600V	•016-02V*-SJSJ-C7
150V	Transformer rated	•016-02V*-PZ**-C7

** SEE ATTACHED FOR PART NUMBERS

Product Codes - Moving Coil Rectified

15-600V	To suit	•016-01W*-
---------	---------	------------

** SEE ATTACHED FOR PART NUMBERS

DC Ammeters

Product Codes

Rating	Scaling	Cat. no.
0-50mV	To suit	•016-01A*-EC**
0-1mA	To suit	•016-01A*-FA**
0-5mA	To suit	•016-01A*-FX**
0-10mA	To suit	•016-01A*-HA**
0-20mA	To suit	•016-01A*-HF**

** SEE ATTACHED FOR PART NUMBERS

Suppressed Zero

Product Codes - Milliammeters - No Zero Set Unless Specified

Rating	Scaling	Cat. no.
4/20mA	To suit	•016-01RA*-HG**



AC Voltmeter

* A= ANSI

** Customer must state required scaling at time of order

• UL approved



DC Voltmeter

DC Voltmeters

Product Codes – Sensitivity 1000Ω/V

Rating	Scaling	Cat. no.
0-15V	0-15V	•016-01V*-NDND
0-30V	0-30V	•016-01V*-NLNL
0-50V	0-50V	•016-01V*-NTNT
0-150V	0-150V	•016-01V*-PZPZ
0-300V	0-300V	•016-01V*-RXRX
0-600V	0-600V	•016-01V*-SJSJ



Frequency Meter

Frequency Meters

Product Codes – 120V, Self Contained

Rating	Scaling	Cat. no. standard case
50Hz centre frequency, -0.15 accuracy	45-55Hz	•016-41S*-PNAG-AG
55Hz centre frequency, -0.25 accuracy	45-65Hz	•016-41S*-PNAJ-AJ
60Hz centre frequency, -0.15 accuracy	55-65Hz	•016-41S*-PNAN-AN
400Hz centre frequency, -1.25 accuracy	360-440Hz	•016-41S*-PNBI-BI

Elapsed Time Meters

Product Codes – 99999.99 hours, Non-resettable

Rating	Scaling	Cat. no. standard case
110/130V, 50Hz	-	•016-155*-PNZH-C5
200/250V, 50Hz	-	•016-155*-RNZH-C5
480V, 50Hz	-	•016-155*-SEZH-C5
110/130V, 60Hz	-	•016-156*-PNZH-C6
200/250V, 60Hz	-	•016-156*-RNZH-C6
480V, 60Hz	-	•016-156*-SEZH-C6

Transducer Indicators

Product Codes – DC Milliamp Rated

Rating	Scaling	Cat. no. standard case
Speed	To suit	016-012*
Frequency	To suit	016-013*
Phase angle	To suit	016-014*
Watts	To suit	016-015*
VARS	To suit	016-016*
VA	To suit	016-017*

* A= ANSI

** Customer must state required scaling at time of ordering

• UL approved



Elapsed Time Meter

AC Ammeter Product Codes – True RMS Reading

5A Transformer rated •016-02AA-LS**-C7

INPUT	SCALE	PART NUMBER
5 A	5 A	016-02AA-LSLS-C7
5 A	10 A	016-02AA-LSMT-C7
5 A	15 A	016-02AA-LSND-C7
5 A	20 A	016-02AA-LSNG-C7
5 A	25 A	016-02AA-LSNJ-C7
5 A	30 A	016-02AA-LSNL-C7
5 A	40 A	016-02AA-LSNP-C7
5 A	50 A	016-02AA-LSNT-C7
5 A	60 A	016-02AA-LSNW-C7
5 A	75 A	016-02AA-LSPB-C7
5 A	80 A	016-02AA-LSPD-C7
5 A	100 A	016-02AA-LSPK-C7
5 A	120 A	016-02AA-LSPS-C7
5 A	150 A	016-02AA-LSPZ-C7
5 A	200 A	016-02AA-LSRL-C7
5 A	250 A	016-02AA-LSRS-C7
5 A	300 A	016-02AA-LSRX-C7
5 A	400 A	016-02AA-LSSC-C7
5 A	500 A	016-02AA-LSSF-C7
5 A	600 A	016-02AA-LSSJ-C7
5 A	750 A	016-02AA-LSSM-C7
5 A	800 A	016-02AA-LSSN-C7
5 A	1000 A	016-02AA-LSSS-C7
5 A	1200 A	016-02AA-LSSU-C7
5 A	1500 A	016-02AA-LSTC-C7
5 A	1600 A	016-02AA-LSTE-C7
5 A	2000 A	016-02AA-LSTM-C7
5 A	2500 A	016-02AA-LSTU-C7
5 A	3000 A	016-02AA-LSUA-C7
5 A	4000 A	016-02AA-LSUE-C7
5 A	4500 A	016-02AA-LSUG-C7
5 A	5000 A	016-02AA-LSUJ-C7

AC Overload Ammeter Product Codes – True RMS Reading

5A

Transformer rated •016-026A-LS**-C7

INPUT	SCALE	PART NUMBER
5/30 A	5/30 A	016-026A-LSLS-C7
5/30 A	10/60 A	016-026A-LSMT-C7
5/30 A	15/90 A	016-026A-LSND-C7
5/30 A	20/120 A	016-026A-LSNG-C7
5/30 A	30/180 A	016-026A-LSNL-C7
5/30 A	40/240 A	016-026A-LSNP-C7
5/30 A	50/300 A	016-026A-LSNT-C7
5/30 A	60/360 A	016-026A-LSNW-C7
5/30 A	75/450 A	016-026A-LSPB-C7
5/30 A	80/480 A	016-026A-LSPD-C7
5/30 A	100/600 A	016-026A-LSPK-C7
5/30 A	150/900 A	016-026A-LSPZ-C7
5/30 A	200/1200 A	016-026A-LSRL-C7
5/30 A	250/1500 A	016-026A-LSRS-C7
5/30 A	300/1800 A	016-026A-LSRX-C7
5/30 A	400/2400 A	016-026A-LSSC-C7
5/30 A	800/4800 A	016-026A-LSSN-C7
5/30 A	1000/6000 A	016-026A-LSSS-C7
5/30 A	1200/7200 A	016-026A-LSSU-C7
5/30 A	2000/12000 A	016-026A-LSTM-C7

AC Voltmeter

Product Codes – True RMS Reading

150V

Transformer rated •016-02VA-PZ**-C7

INPUT	SCALE	PART NUMBER
150 V	150 V	016-02VA-PZPZ-C7
150 V	200 V	016-02VA-PZRL-C7
150 V	300 V	016-02VA-PZRX-C7
150 V	500 V	016-02VA-PZSF-C7
150 V	600 V	016-02VA-PZSJ-C7
150 V	750 V	016-02VA-PZSM-C7
150 V	3000 V	016-02VA-PZUA-C7
150 V	4500 V	016-02VA-PZUG-C7
150 V	5000 V	016-02VA-PZUJ-C7
150 V	5250 V	016-02VA-PZUL-C7
150 V	9000 V	016-02VA-PZUY-C7

150 V	15000 V	016-02VA-PZWC-C7
150 V	18000 V	016-02VA-PZWD-C7

Product Codes - Moving Coil Rectified

15-600V **To suit** **•016-01WA**

INPUT	SCALE	PART NUMBER
10 V	10 V	016-01WA-MTMT-C7
15 V	15 V	016-01WA-NDND-C7
30 V	30 V	016-01WA-NLNL-C7
40 V	40 V	016-01WA-NPNP-C7
50 V	50 V	016-01WA-NTNT-C7
60 V	60 V	016-01WA-NWNW-C7
80 V	80 V	016-01WA-PDPD-C7

DC Ammeters

0-50mV **To suit** **•016-01AA-EC****

INPUT	SCALE	PART NUMBER
50 mV	10 A	016-01AA-ECMT
50 mV	15 A	016-01AA-ECND
50 mV	20 A	016-01AA-ECNG
50 mV	25 A	016-01AA-ECNJ
50 mV	30 A	016-01AA-ECNL
50 mV	50 A	016-01AA-ECNT
50 mV	60 A	016-01AA-ECNW
50 mV	75 A	016-01AA-ECPB
50 mV	80 A	016-01AA-ECPD
50 mV	100 A	016-01AA-ECPK
50 mV	150 A	016-01AA-ECPZ
50 mV	200 A	016-01AA-ECRL
50 mV	250 A	016-01AA-ECRS
50 mV	300 A	016-01AA-ECRX
50 mV	400 A	016-01AA-ECSC
50 mV	500 A	016-01AA-ECSF
50 mV	600 A	016-01AA-ECSJ
50 mV	800 A	016-01AA-ECSN

50 mV	1000 A	016-01AA-ECSS
50 mV	1200 A	016-01AA-ECSU
50 mV	1500 A	016-01AA-ECTC
50 mV	2000 A	016-01AA-ECTM
50 mV	2500 A	016-01AA-ECTU
50 mV	3000 A	016-01AA-ECUA
50 mV	4000 A	016-01AA-ECUE
50 mV	5000 A	016-01AA-ECUJ
50 mV	6000 A	016-01AA-ECUP