



Switchboard Shunts

FP – 100 to 600 AMPS

GENERAL INFORMATION:

Extending measurement of currents beyond available limits of self-contained DC ammeters

APPLICATIONS:

Panel meters, Switchboard, solar, rail, or other DC applications

CONTINUOUS OPERATION

Recommended that shunts are not run at more than two-thirds (2/3) the rated current under normal conditions as per IEEE standards



Model	FP
Amperes	100 – 600

MODEL FP – 100 to 600 AMPS

Approximate weight: 0.6 lbs.

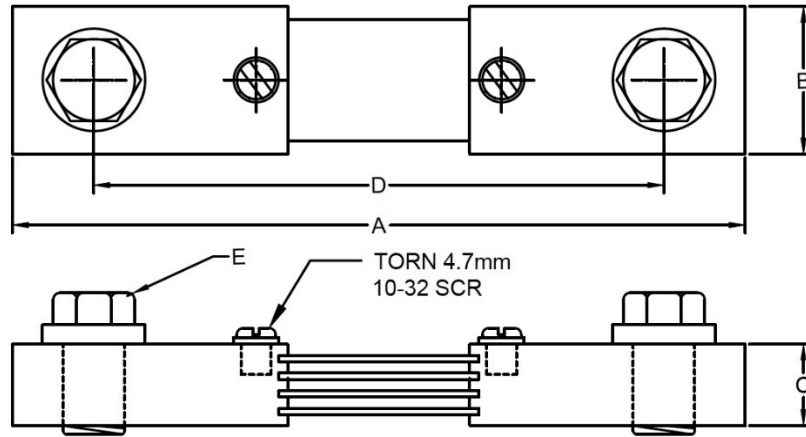
50 mV Series

CATALOG NUMBER	INPUT (AMPS)	OUTPUT (mV)	ACCURACY
FP-100-50	100	50	± 0.25%
FP-150-50	150	50	± 0.25%
FP-200-50	200	50	± 0.25%
FP-250-50	250	50	± 0.25%
FP-300-50	300	50	± 0.25%
FP-400-50	400	50	± 0.25%
FP-500-50	500	50	± 0.25%
FP-600-50	600	50	± 0.25%

Tolerances ± 0.015 in (0.381 mm) for hole diameters.

Other tolerances ± 0.030 in (0.762 mm) unless otherwise noted.

Dimensions are subjects to change without notice.



50m MODEL TYPE FP 100 THROUGH 600 AMPERES

i CATALOG No.	AMP	A		B		C		D		E		
		mm	in	mm	in	mm	in	mm	in	mm	in	
FP-100-50	100	114.3	4 1/2	25.4	1	12.7	1/2	88.9	3 1/2	9.53-16	19.05	3/8-16 x 3/4
FP-150-50	150	114.3	4 1/2	25.4	1	12.7	1/2	88.9	3 1/2	9.53-16	19.05	3/8-16 x 3/4
FP-200-50	200	114.3	4 1/2	25.4	1	12.7	1/2	88.9	3 1/2	9.53-16	19.05	3/8-16 x 3/4
FP-250-50	250	136.53	5 3/8	34.93	1 3/8	15.88	5/8	101.6	4	12.7-13 x 25.4		1/2-13 x 1
FP-300-50	300	136.53	5 3/8	34.93	1 3/8	15.88	5/8	101.6	4	12.7-13 x 25.4		1/2-13 x 1
FP-400-50	400	136.53	5 3/8	34.93	1 3/8	15.88	5/8	101.6	4	12.7-13 x 25.4		1/2-13 x 1
FP-500-50	500	139.7	5 1/2	38.1	1 1/2	25.4	1	101.6	4	12.7-13 x 25.4		1/2-13 x 1
FP-600-50	600	139.7	5 1/2	38.1	1 1/2	25.4	1	101.6	4	12.7-13 x 25.4		1/2-13 x 1

Tolerances ± 0.015 in (0.381 mm) for hole diameters.
 Other tolerances ± 0.030 in (0.762 mm) unless otherwise noted.
 Dimensions are subjects to change without notice.