



Lightweight Shunts

TM (C) - 800 to 1200



GENERAL INFORMATION:

Extending measurement of currents beyond available limits of self-contained DC ammeters

APPLICATIONS:

Solar generators Wind power Heavy industry Electroplating Battery chargers Mining

CONTINUOUS OPERATION

Recommended that shunts are not run at more than two-thirds (2/3) the rated current under normal conditions as per IEEE standards

Model	TM (C)
Amperes	800 - 1200

MODEL TM – 800 to 1200 AMPS
Approximate weight: 0.6 lbs.

50 mV Series

CATALOG NUMBER	INPUT (AMPS)	OUTPUT (mV)	ACCURACY
TM-800-50	800	50	± 0.25%
TM-1000-50	1000	50	± 0.25%
TM-1200-50	1200	50	± 0.25%

100 mV Series

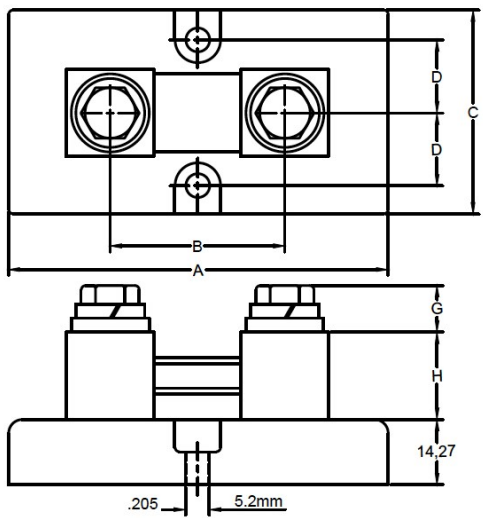
CATALOG NUMBER	INPUT (AMPS)	OUTPUT (mV)	ACCURACY
TM-800-100	800	100	± 0.25%
TM-1000-100	1000	100	± 0.25%
TM-1200-100	1200	100	± 0.25%

Tolerances ± 0.015 in (0.381 mm) for hole diameters.
Other tolerances ± 0.030 in (0.762 mm) unless otherwise noted.
Dimensions are subjects to change without notice.



Lightweight Shunts

TM (C) - 800 to 1200



50mV MODEL TYPE TM 800 THROUGH 1200 AMPERES

CATALOG ¹ No.	AMP	A		B		C		D		F		H		J	
		mm	in	mm	in	mm	in	mm	in	mm	in	mm	in	mm	in
TM-800-50	800	114.3	4 1/2	54.86	2.16	63.5	2 1/2	25.4	1	53.98	2.125	25.4	1	12.7-13 x 22.23	1/2-13 x 7/8
TM-1000-50	1000	114.3	4 1/2	54.86	2.16	63.5	2 1/2	25.4	1	53.98	2.125	25.4	1	12.7-13 x 22.23	1/2-13 x 7/8
TM-1200-50	1200	114.3	4 1/2	54.86	2.16	63.5	2 1/2	25.4	1	53.98	2.125	25.4	1	12.7-13 x 22.23	1/2-13 x 7/8

100mV MODEL TYPE TM 800 THROUGH 1200 AMPERES

CATALOG ¹ No.	AMP	A		B		C		D		F		H		J	
		mm	in	mm	in	mm	in	mm	in	mm	in	mm	in	mm	in
TM-800-100	800	114.3	4 1/2	54.86	2.16	63.5	2 1/2	25.4	1	53.98	2.125	25.4	1	12.7-13 x 22.23	1/2-13 x 7/8
TM-1000-100	1000	114.3	4 1/2	54.86	2.16	63.5	2 1/2	25.4	1	53.98	2.125	25.4	1	12.7-13 x 22.23	1/2-13 x 7/8
TM-1200-100	1200	114.3	4 1/2	54.86	2.16	63.5	2 1/2	25.4	1	53.98	2.125	25.4	1	12.7-13 x 22.23	1/2-13 x 7/8

Tolerances ± 0.015 in (0.381 mm) for hole diameters.
 Other tolerances ± 0.030 in (0.762 mm) unless otherwise noted.
 Dimensions are subjects to change without notice.