



ANSI Switchboard Meters

360° Rotary AC Synchroscope

KEY FEATURES

- 2.5 degrees accuracy
- Enhanced safety
- ANSI C39.1

APPLICATIONS

- Switchgear
- Distribution systems
- Energy management
- Process control
- Building management

APPROVALS

- c-UL UL listed file number E354483

The Crompton Instruments AC synchroscope measures and displays the frequency difference of two power sources. Monitoring the display allows the user to connect two synchronized AC power systems together. This can help prevent the potential damage caused by connecting two unsynchronized power sources.

The 4.50" meter complies with ANSI C39.1 specifications.

Accessories

The ANSI Switchboard AC Synchroscope also comes with a range of accessories to complement the product.

- Neoprene Panel Gasket (Optional)
- Terminal Back Cover (Standard, Included no extra cost)



Product Coding System

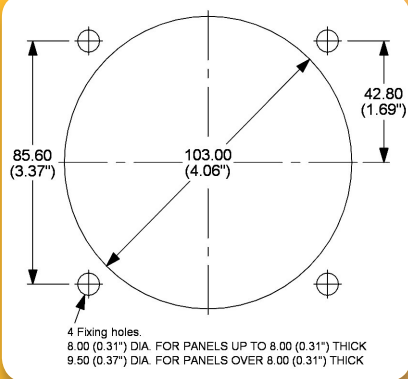
Model	Function
007-145A-PRAE-C5	120V AC, 50 Hertz
007-146A-PRAE-C6	120V AC, 60 Hertz
007-145A-RRAE-C5	240V AC, 50 Hertz
007-146A-RRAE-C6	240V AC, 60 Hertz
007-145A-SBAE-C5	415V AC, 50 Hertz
007-146A-SBAE-C6	415V AC, 60 Hertz

Product Code and Ordering

Information Example: 007-146A-PRAE-C6

Specifications

Rating, self-contained	120V AC
Frequency rating	50 or 60 Hertz (specify)
Normal operating position	On vertical panel unless otherwise specified at time of order
Position influence	Not more than 3.6 mechanical degrees deviation for up to 60° tilt from normal operating position
Accuracy	2.5 degrees
Overshoot	33% maximum
Response time	3 seconds maximum for 180° deflection
Sensitivity at synchronism	3 electrical degrees maximum
Operating temperature range	3% maximum in 5 oersted field
Pull in frequency	58Hz
Drop out frequency	57Hz
Dielectric test	Live parts to case, including panel: 2600V RMS for 1 minute
Between running and incoming circuits	1500V RMS for 1 minute
Overload	1.15% of rated voltage
Operating Temperature	-10°C - +45°C
Humidity	25% - 80%



Panel Cut Out

