

# Model 117MR

**Current Transformer with Multi-Ratio  
Window Diameter 4.62"**



## Application

Relaying.

## Insulation Level

600 Volts, 10 kV BIL full wave.

## Frequency

50-400 Hz.

Terminals are brass studs No. 10-32 with one flatwasher and lockwasher.

The transformer winding is arranged so that the turns are fully distributed between all taps.

Order mounting bracket kit 0221B01525 separately.

Approximate weight 13 lbs

Excitation data available upon request.



REGULATORY AGENCY APPROVALS

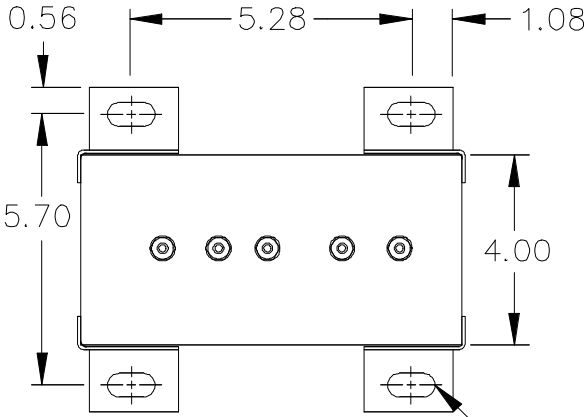


Manufactured to meet the requirements of ANSI/IEEE C57.13.  
Classified by U.L. in accordance with IEC 44-1

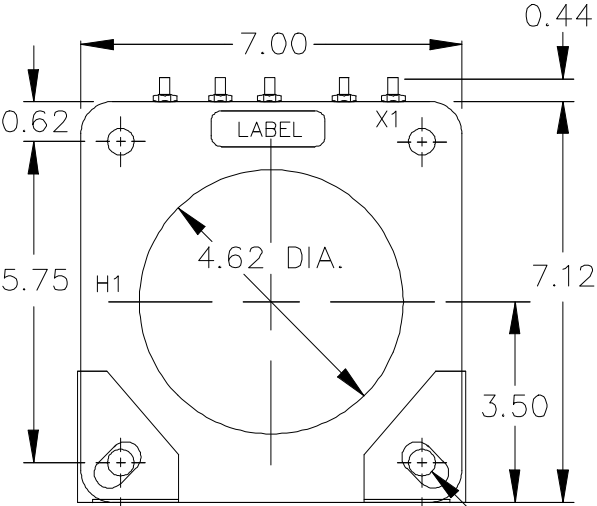
## Model 117MR

| Catalog Number | Relay Class | Continuous Thermal Rating Factor |         |
|----------------|-------------|----------------------------------|---------|
|                |             | @ 30 °C                          | @ 55 °C |
| 117-601MR      | C20         | 2.0                              | 1.5     |
| 117-122MR      | C100        | 1.33                             | 1.0     |
| 117-202MR      | C100        | 1.0                              | 0.6     |

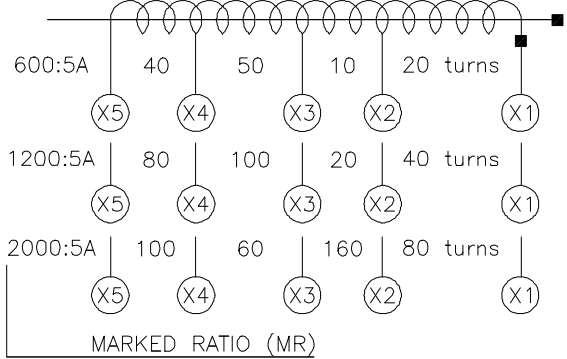
Model 117MR



(4) SLOTS  
0.44 X 1.00



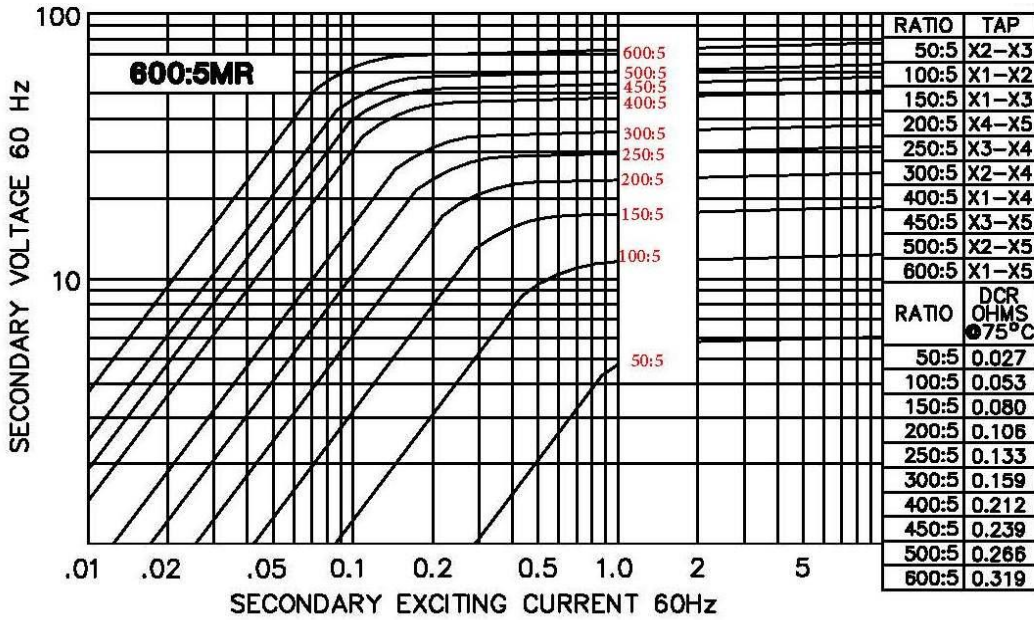
(4) HOLES  
0.56 DIA



# Current Transformer

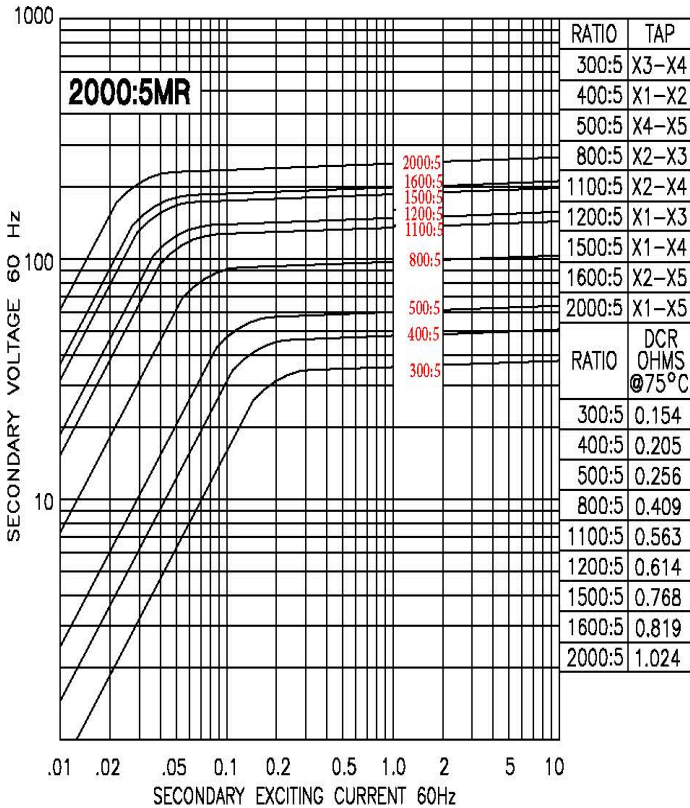
**Model 117MR**

## EXCITATION CURVE



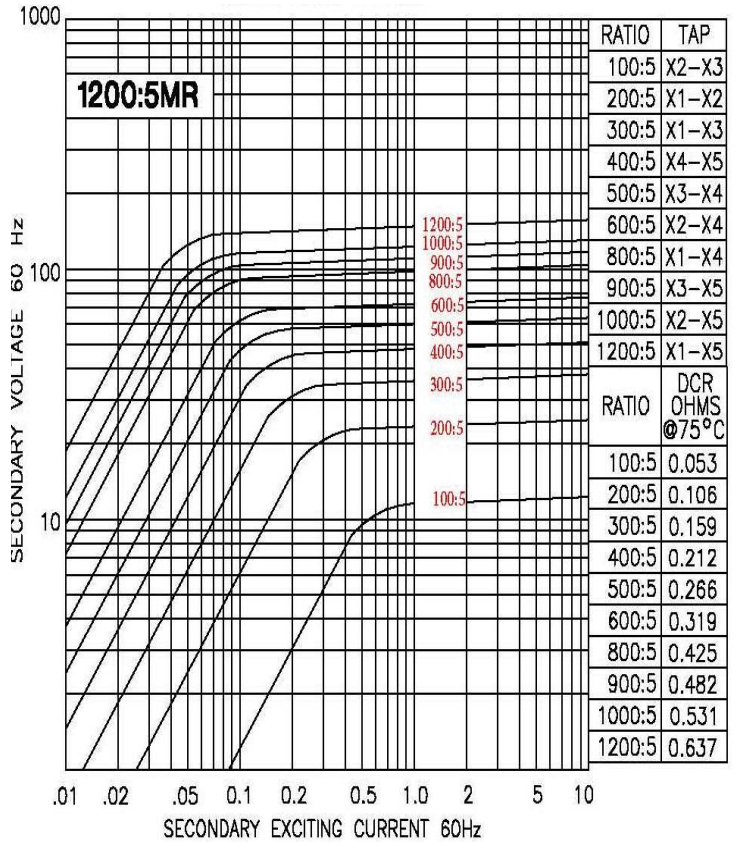
**Model 117-601MR - rating C20**

TRF= 2.0 @ 30°C, 1.5 @ 55°C amb.



**Model 117-202MR - rating C50**

TRF= 1.00 @ 30°C, 0.6 @ 55°C amb.



**Model 117-122MR - rating C100**

TRF= 1.33 @ 30°C, 1.0 @ 55°C amb.

Products are manufactured in a plant whose quality management system is certified / registered as being in conformity with ISO 9001