

Model 135MR

Current Transformer Multi-Ratio Window Diameter 5.75"

Application

Relaying.

Frequency

50-400 Hz.

Insulation Level

600 Volt, 10 kV BIL full wave.

Terminals are brass screws No. 10-32 with one flatwasher and lockwasher.

The transformer winding is arranged so that the turns are fully distributed between all taps.

Order mounting bracket kit 0221B00186 separately.

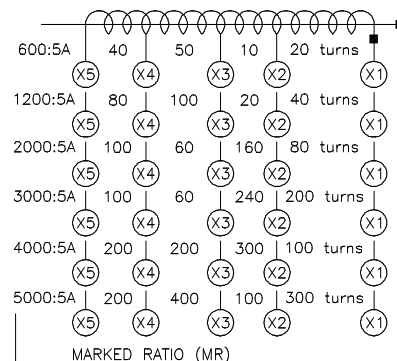
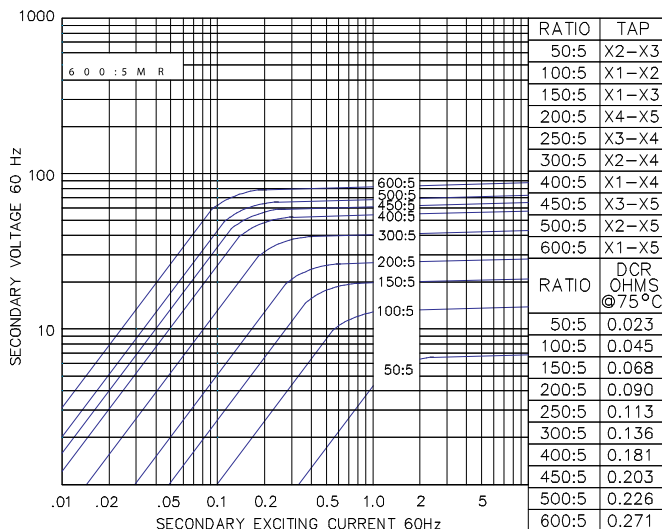
Approximate weight 18 lbs.



Model 135MR

Catalog Number	Relay Class	Continuous Thermal Rating Factor	
		@ 30 °C	@ 55 °C
135-601MR	C50	2.0	2.0
135-122MR	C100	1.5	1.33
135-202MR	C100	1.0	0.8
135-302MR	C200	1.0	0.8
135-402MR	C200	1.0	0.6
135-502MR	C200	1.0	0.6

REGULATORY AGENCY APPROVALS



Model 135MR

