

CURRENT TRANSFORMERS (with Voltage Signal Output)



Model CV8 (Window Size: 3.25" Diameters)

Application: Generally used to provide 0 - 1.0Vac output with a current input. (Other secondary voltages also available)

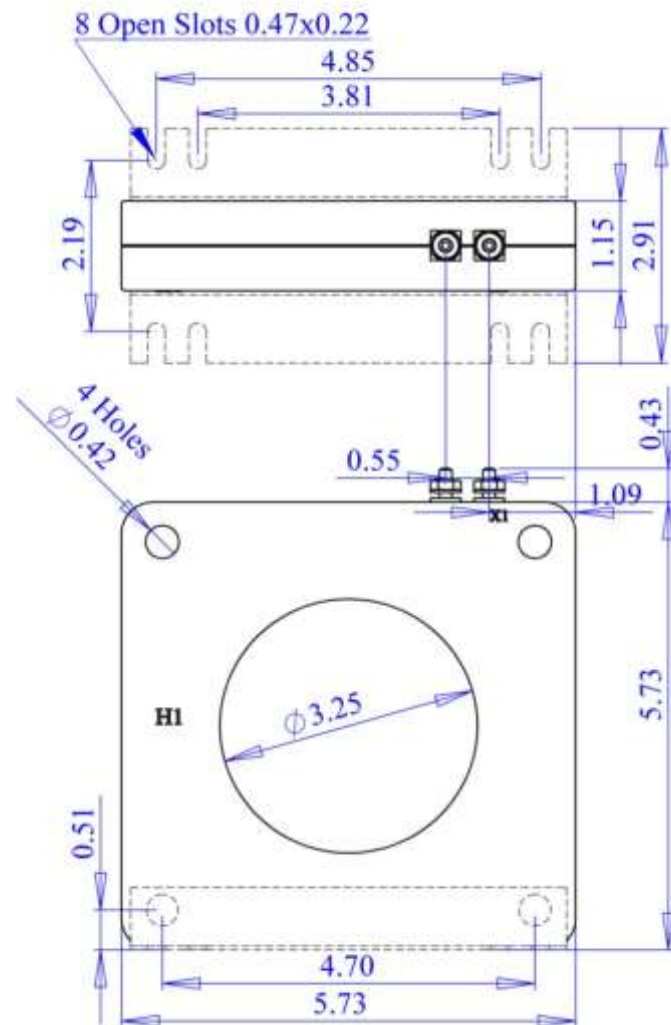
Frequency: 50-400 Hz cRUus E238872

Insulation Level: 600 Volts, 10Kv BIL Full Wave

- Terminals are brass. Stud and Female options w/ hardware available. (See Page 2)
- Mounting bracket kits for the Model CV8SHT are sold separately. (Part Number 1121A00022-1)
- Approximate weight: 3 lbs.



CV8 SHT



CURRENT TRANSFORMERS



Model CV8 (Window Size: 3.25" Diameter)

Catalog Number	Primary Current/ Sec. Voltage	Accuracy at 60Hz	TRF @ 30C	TRF @55C
CV8 **-101-1	100A:1V	0.3%	1.0	0.8
CV8 **-121-1	120A:1V	0.3%	1.0	0.8
CV8 **-151-1	150A:1V	0.3%	1.0	0.8
CV8 **-201-1	200A:1V	0.3%	1.0	0.8
CV8 **-251-1	250A:1V	0.3%	1.0	0.8
CV8 **-301-1	300A:1V	0.3%	1.0	0.8
CV8 **-401-1	400A:1V	0.3%	1.0	0.8
CV8 **-501-1	500A:1V	0.3%	1.0	0.8
CV8**-601-1	600A:1V	0.3%	1.0	0.8
CV8 **-751-1	750A:1V	0.3%	1.0	0.8
CV8 **-801-1	800A:1V	0.3%	1.0	0.8
CV8 **-102-1	1000A:1V	0.3%	1.0	0.8
CV8 **-152-1	1000A:1V	0.3%	1.0	0.8

**Note: When ordering, use prefix below to indicate unit designation/configuration. (i.e. CV8SHT-101-1)

SH-* = Square Case with mounting holes

T = Male (Brass studs No. 8-32 UNC with one flat washer, one lock washer and one nut each)

Y = Female (Brass with one Cup washer, one lock washer and one No. 8-32 UNC binding head screw each)



Y = Female Terminals



T = Male Terminals