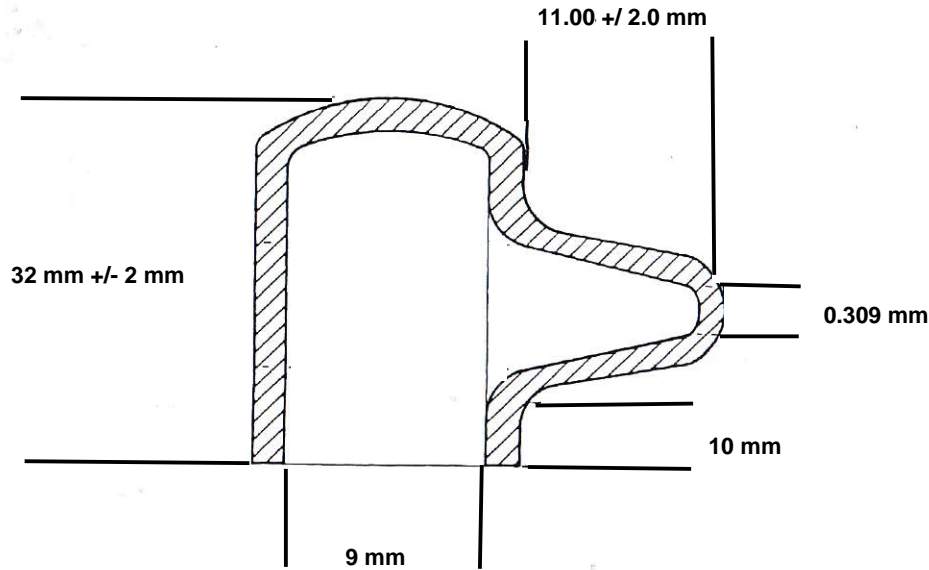


Terminal Boot: Part Number 2.7352.01



DRG. NO.	MATL :- FLEXIBLE PVC BLACK FLAME RETARDANT	GENERAL TOLERANCES UNLESS OTHERWISE STATED				FINISH :-	USED ON :-
	MATL SPEC :-	WEIGHT OF MATL:- 1 COMPT. g	00-0	± 0.5	00-00	± 0.1	
							COMPONENT STK. NO.:-



NOTE:
MATERIAL THICKNESS TO BE ABLE TO WITHSTAND
FLASH TEST OF 2KV AC FOR 1 MINUTE.

DO NOT SCALE.

UNIFIED THREADS TO B.S. 1580
METRIC THREADS TO B.S. 3643
B.A. THREADS TO B.S. 93
ALL DIMENSIONS IN MILLIMETRES



SCALE :- 4x FULL SIZE

Crompton Instrument

CROMPTON PARKINSON LTD., WITHAM, ESSEX, ENGLAND.

A HAWKER SIDDELEY COMPANY

				DRAWN :- GUY DAVIES	TRACED :-	TITLE :-
				CHECKED :- <i>[Signature]</i>	APPROVED :-	TERMINAL COVER FOR
1	MATL WAS P.D.M 100	<i>[Signature]</i>	S-1	DATE FIRST ISSUED :- 9.3.83		1/4 UNF TERMINALS UP TO 50A
REV	DESCRIPTION	SIG	DATE	DCN		AND VOLTMETERS.

DRG NO.

9620K/2109

02AL10 (001) LTD