

MODEL 143

CURRENT TRANSFORMERS

Model 143 Ratio to 5 (**Window Size:** 7.31" Diameter)

Application: Generally used for relaying and metering.

Frequency: 50-400 Hz

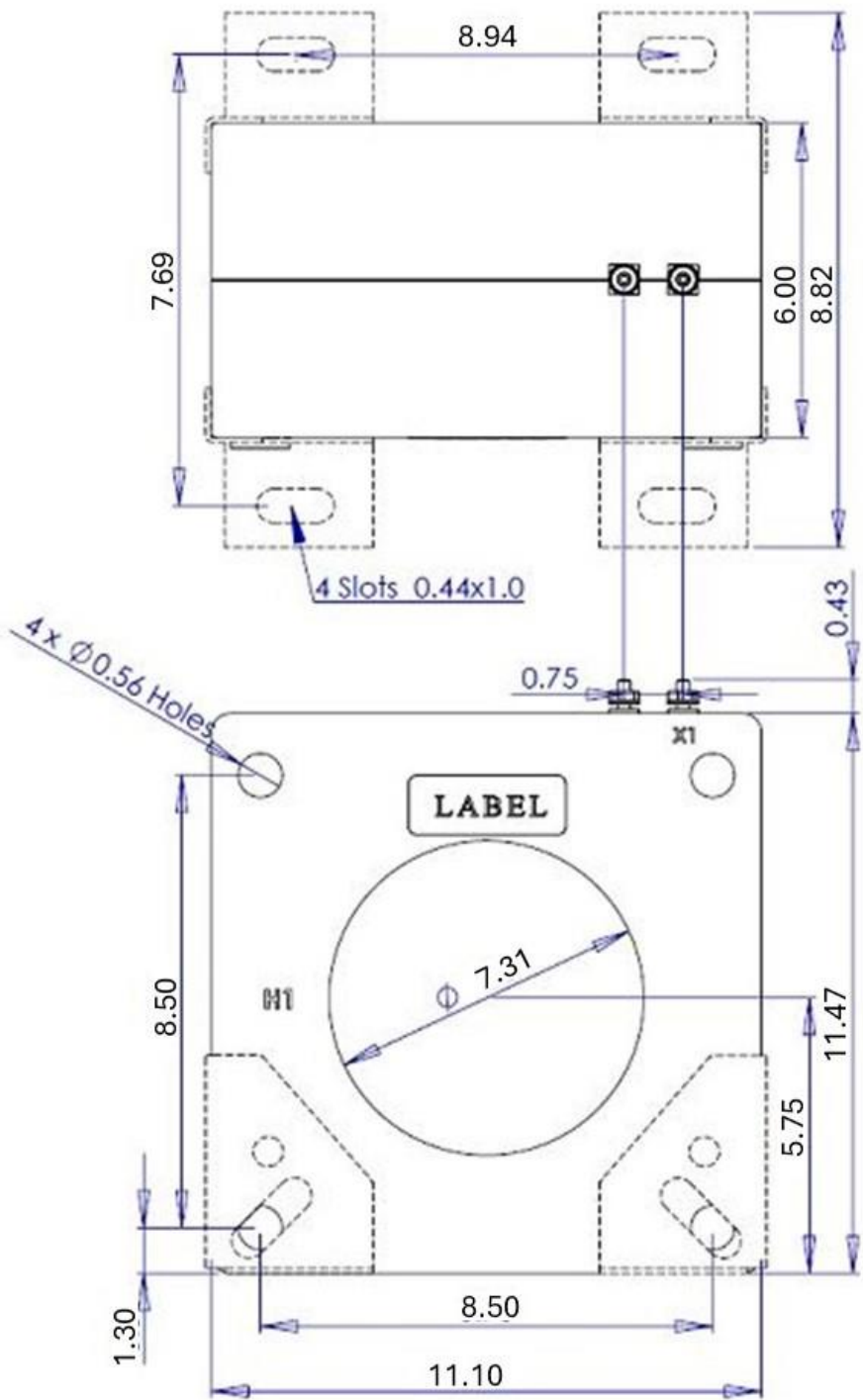
Insulation Level: 600 Volts, 10Kv BIL Full Wave

Standards: CSA 66.1-06, CSA 66.2-06, IEEE C 57.13, and UL 506

- Terminals are brass screws with female receptacles 8-32 with one flat washer and one lock washer.
- Mounting brackets kits for the Model 143 are available when requested, sold separately.
- Approximate weight: 60 lbs.



Model	Ratio	Relay Class	Ansi Metering Class at 60 Hz					Continuous Thermal Rating Factor	
			B0.1	B0.2	B0.5	B0.9	B1.8	@ 30 Deg C	@ 55 Deg C
143-500	50:5	C20	4.8	4.8	--	--	--	2.0	2.0
143-750	75:5	C20	2.4	2.4	--	--	--	2.0	2.0
143-101	100:5	C20	1.2	2.4	4.8	4.8	--	2.0	2.0
143-151	150:5	C50	0.6	0.6	1.2	2.4	4.8	2.0	2.0
143-201	200:5	C50	0.3	0.3	0.6	1.2	2.4	2.0	2.0
143-251	250:5	C50	0.3	0.3	0.6	1.2	2.4	2.0	2.0
143-301	300:5	C100	0.3	0.3	0.3	0.6	1.2	2.0	2.0
143-401	400:5	C100	0.3	0.3	0.3	0.3	0.6	2.0	2.0
143-501	500:5	C100	0.15	0.3	0.3	0.3	0.6	2.0	2.0
143-601	600:5	C200	0.15	0.15	0.3	0.3	0.3	2.0	1.5
143-751	750:5	C200	0.15	0.15	0.3	0.3	0.3	2.0	1.5
143-801	800:5	C200	0.15	0.15	0.15	0.3	0.3	2.0	1.5
143-102	1000:5	C200	0.15	0.15	0.15	0.15	0.3	1.5	1.33
143-122	1200:5	C400	0.15	0.15	0.15	0.15	0.15	1.5	1.0
143-152	1500:5	C400	0.15	0.15	0.15	0.15	0.15	1.5	1.0
143-162	1600:5	C400	0.15	0.15	0.15	0.15	0.15	1.33	1.0
143-202	2000:5	C400	0.15	0.15	0.15	0.15	0.15	1.33	1.0
143-252	2500:5	C400	0.15	0.15	0.15	0.15	0.15	1.0	0.8
143-302	3000:5	C800	0.15	0.15	0.15	0.15	0.15	1.0	0.8
143-322	3200:5	C800	0.15	0.15	0.15	0.15	0.15	1.0	0.8
143-352	3500:5	C800	0.15	0.15	0.15	0.15	0.15	1.0	0.8
143-402	4000:5	C800	0.15	0.15	0.15	0.15	0.15	1.0	0.8
143-502	5000:5	C800	0.15	0.15	0.15	0.15	0.15	1.0	0.8
143-602	6000:5	C800	0.15	0.15	0.15	0.15	0.15	0.8	0.8



***Note-Mounting brackets for the 143 are sold separately**

Rev A 08 05 2024