

**tyco**

*Electronics*

**Energy Division**

**Installation and Operating Manual  
262-30T Temperature Control  
Digital Meter Relay**



**Tyco Electronics UK Limited  
Crompton Instruments**  
Freebournes Road, Witham, Essex, CM8 3AH, UK  
Tel: +44 1376 509 509  
Fax: +44 1376 509 511

**Crompton  
262-30T Temperature Control  
Digital Meter Relay**

**Installation & Operating Manual**

Crompton Instruments  
Freebournes Road  
Witham  
Essex  
CM8 3AH  
England

Tel: +44 (0) 1376 512601  
Fax: +44 (0) 1376 518320  
E-Mail: [Info@crompton.invensys.com](mailto:Info@crompton.invensys.com)

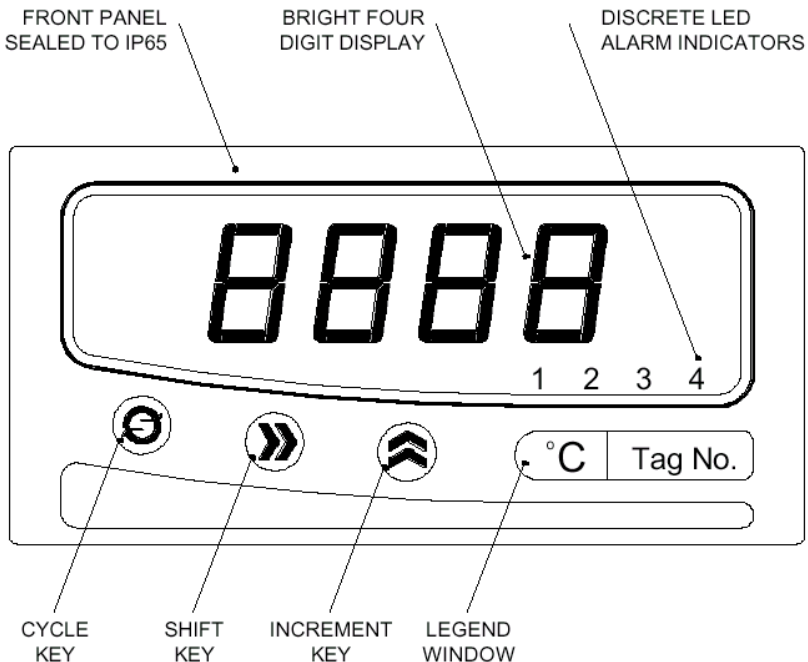
<b>Contents</b>	<b>Page</b>
<b>1.0 General</b>	1 - 2
<b>2.0 Unpacking</b>	2
<b>3.0 Installation</b>	3 - 5
3.1 Safety Information	3
3.2 Installing Into a Panel	4
3.3 Wiring	4
3.4 Power Supply Continued	4 - 5
3.5 Sensor Connections	5
<b>4.0 Programming the Instrument</b>	6 -10
4.1 Programming Guide	6
4.2 Key Definitions	6
4.3 Entering Menu Mode	7
4.3.1 Moving Around The Menu	7
4.3.2 Entering A Submenu continued	7-8
4.3.3 Editing A Parameter continued	8 - 9
4.3.4 Returning From Submenus	9
4.4 The Menus	9
4.4.1 The INPt (INPUT) Submenu	9
4.4.2 The SyS (System) Submenu	10
<b>5.0 Operation</b>	
5.1 Run Mode Operation	10
5.2 Failure Modes	10
<b>6.0 Specification @20 °C</b>	11 - 12
6.1.1 RTD (Pt-100)	11
6.1.2 Thermocouple Inputs	11 - 12
6.2 General Specification @ 20 °C	12
<b>7.0 Option Modules</b>	13-14
7.0.1 Installing Modules	13
7.1 262-RLY Dual Relay Module	13
7.1.1 SLT1, SLT2 (Relay Module) Submenu	13 - 14
7.1.2 Relay Specification	14
7.2 262-ALG, Isolated Analogue Output Module	14
<b>8.0 Mechanical Detail</b>	15

## 1.0 General

The unit is a highly accurate and stable digital temperature indicator that accepts all commonly used temperature sensors. The unit can be used "stand alone" or, with the Modbus serial communications module option, as part of a larger system.

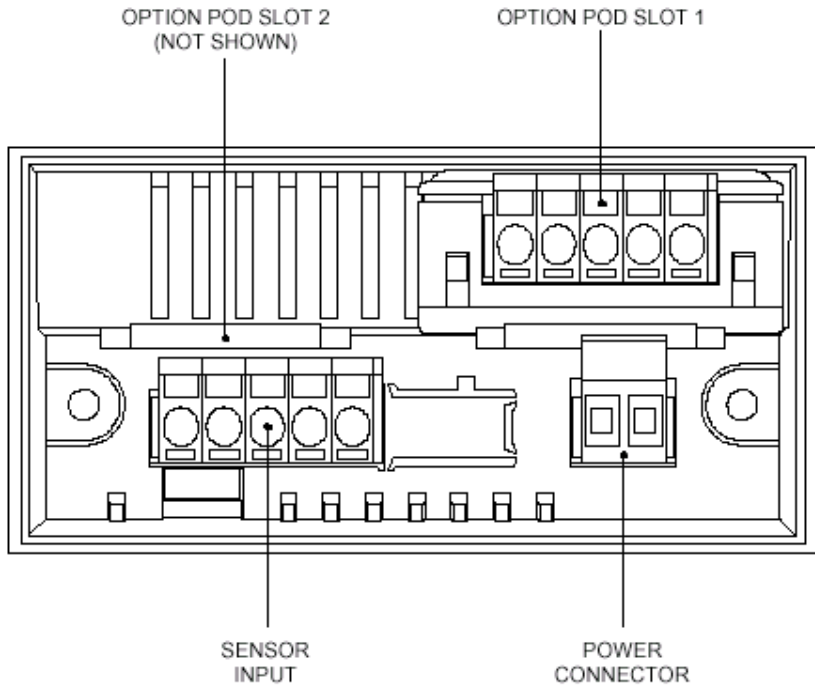
The case design enables option Modules to be easily installed without the need for dismantling or re-calibration. A range of Modules are available for:

- Relay outputs 262-RLY
- Isolated Analogue Output 262-ALG
- Modbus serial communication 262-MOD



## 1.0 General continued

The diagram shows the rear panel positions for all electrical connections.



## 2.0 Unpacking

Please inspect the instrument carefully for any signs of shipping damage. The packaging has been designed to afford maximum protection, however, we cannot guarantee that mishandling will not have damaged the instrument. In the case of this unlikely event, please contact your supplier immediately and retain the packaging for subsequent inspection.

### 3.0 Installation

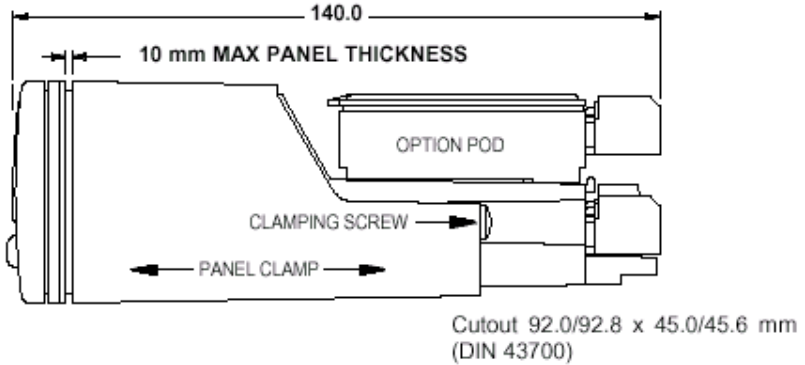
#### THIS SECTION FOR USE BY COMPETENT PERSONNEL ONLY

#### 3.1 Safety Information

WARNING	READ SAFETY INFORMATION BELOW BEFORE INSTALLATION
WARNING	Hazardous voltages may be present on the terminals the equipment must be installed by suitably qualified personnel and mounted in an enclosure providing protection to at least IP20.
ISOLATION	<p>The power supply terminals and associated internal circuitry are isolated from all other parts of the equipment in accordance with BS EN61010-1 for connection to a Category II supply (pollution degree 2).</p> <p>Functional isolation (500v max) is provided between input and output circuits, and between inputs and communications (where fitted).</p> <p>Any terminals or wiring connected to the input, output or communications terminals which are accessible in normal operation must ONLY be connected to signals complying with the requirements for Safety extra low voltage (SELV) circuits.</p>
WARNING	If not installed in accordance with these instructions, protection against electrical hazards may be impaired.

- Installation overvoltage category - 2 (as per BS EN61010-1)
- The Mains supply to the equipment must be protected by an external 1 Amp fuse and a suitable switch or circuit breaker which should be near the equipment.
- The equipment contains no user serviceable parts.

### 3.2 Installing into a Panel



Refer to section 8.0 for Mechanical Detail.

The maximum panel thickness is 10mm. The instrument case has an integral gasket which forms a seal when the instrument is tightened against the panel.

The panel should be clean, smooth and at least 1.6mm thick for the seal to be effective.

- **WARNING** Use only the retaining screws provided to clamp the instrument to the panel ( screws must be tightened sufficiently to effect a seal but must never be overtightened).

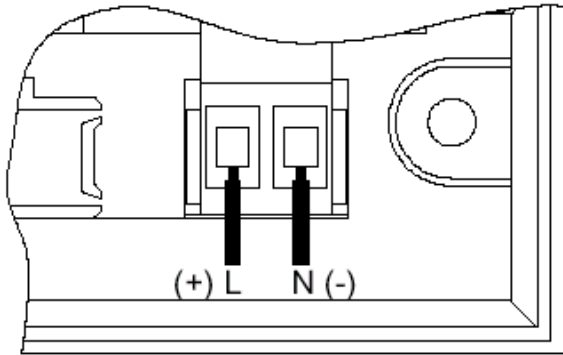
### 3.3 Wiring

All connections are made to sockets which are removable for ease of maintenance. Installation should be undertaken in accordance with relevant sections of BS6739 - British Standards code of practice for "Instrumentation in Process Control Systems: Installation design and practice".

### 3.4 Power Supply

The Power supply rating will be indicated on the top of the instrument, ensure it is correct for the application. The Mains supply to the equipment must be protected by an external 1 Amp fuse and a suitable switch or circuit breaker which should be near the equipment.

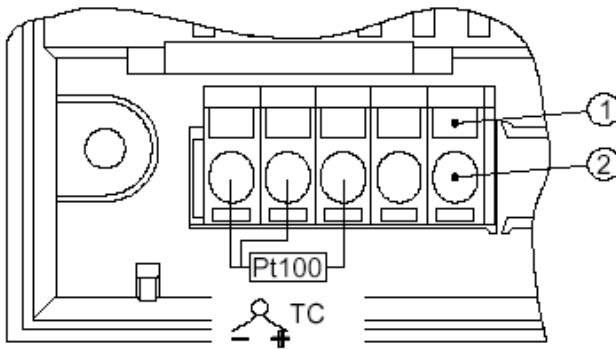
### 3.4 Power Supply Continued



Wires are retained by screws. Ensure that the exposed section of the wire is fully inserted and that no loose strands are exposed.

### 3.5 Sensor Connections

All sensor connections are made via a five way "fast wiring" socket at the rear of the unit (wire size 0.5 to 1.5mm<sub>2</sub>).



Insert small screwdriver blade into tension clamp orifice, (1) push and twist to deflect clamp into open position. Do not lever screwdriver thus forcing connector body sideways. Insert conductor tail sufficiently into (2) then release screwdriver. Ensure no loose wire strands protrude.



## 4.0 Programming the Instrument

The unit is a microprocessor based instrument enabling it to satisfy a variety of applications. All programming is available from the front panel or via a PC using the RS485 Modbus communications module.

### 4.1 Programming Guide

The unit has three operating modes. These are :

- RUN (DISPLAYS PROCESS VARIABLE)
- MENU
- EDIT

RUN is the principal mode of operation, which displays the Process Variable from which all other modes are accessed. The unit will always time-out back to this mode after one minute.

MENU mode provides access to the programmable parameters.

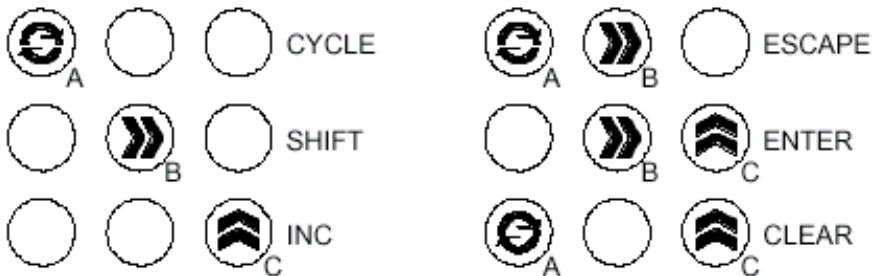
EDIT mode is entered from Menu Mode and allows the user to inspect and modify a parameter.

### 4.2 Key Definitions

The indicator is programmed using the three front panel keys, A,B and C are shown to assist the tutorial.

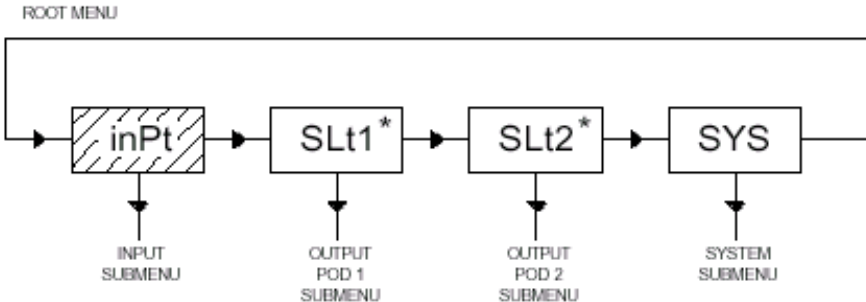
CYCLE (A), SHIFT (B) and INC (C) keys are pressed singularly.

ESCAPE (A&B), ENTER (B&C) and CLEAR (A&C) are obtained by simultaneously pressing the two keys.



### 4.3 Entering Menu Mode

The Root Menu mode is accessed from "Run" by pressing ENTER (B&C) followed by CYCLE (A). The display will now show "inPt". In order to understand what this means, the following diagram shows where we are within the basic Root menu.



\* Slot menus only appear when respective option modules are fitted.

#### 4.3.1 Moving Around The Menu

One can browse through the Root menu by pressing CYCLE (A) which moves the menu position from left to right (after reaching SYS, the menu position wraps around to the start).

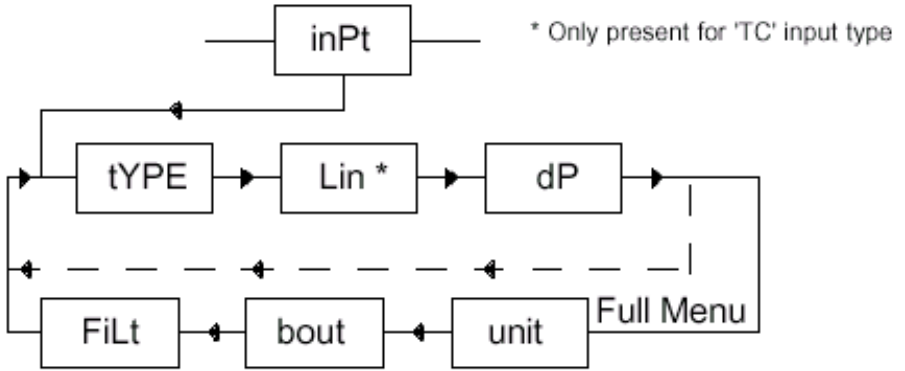
#### 4.3.2 Entering A Submenu

To enter a submenu, first cycle around the Root menu until the required submenu is displayed. For the purposes of this tutorial press the CYCLE (A) key until InPt is displayed. Pressing SHIFT (B) enters the Input Submenu.

TYPE will now be displayed. The diagram shows our position in relation to other items in the menu.

Pressing CYCLE (A) moves left to right, wrapping around at the end. The unit alters items in the menu list depending upon settings made.

**4.3.2 Entering A Submenu continued**



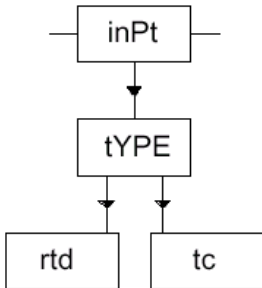
**4.3.3 Editing A Parameter**

The items displayed in the menu can either be submenus, parameters or numbers, most of the items in the Inputs menu are parameters which can be edited.

Press the CYCLE (A) key until tYPE is displayed, then press SHIFT (B).

The current setting will now be shown flashing. This item is changed by pressing the INC (C) key.

The choice of options available is as follows:



Press the INC (C) key until "rtd" is displayed.

### 4.3.3 Editing A Parameter continued

Note that whilst the display is flashing, the option on the display has not been saved to memory. To select an option, the ENTER key sequence is used. Press ENTER (B&C). The display will stop flashing momentarily before returning to Menu mode. The system automatically steps on to the next entry to speed the process of programming. This method of editing parameters is repeated throughout the menu structure.

### 4.3.4 Returning From Submenus

To return up from the inPt menu to the root menu wait for 1 minute or press the ESCAPE (A&B) key. Pressing the ESCAPE key from our current position in the Inputs submenu takes us back to the Root menu. The menu position will automatically step to the next menu item, if no modules are fitted the unit will show SYS, if modules are fitted SLt1 or SLt2 will be shown.

The Root menu, as its name suggests is not a submenu. Pressing the ESCAPE (A&B) key sequence whilst in the Root menu will take the user out of Menu mode and into Run mode. Thus the process variable will be shown on the display. Refer to section 5.2 if an error code is shown after programming in menu mode.

## 4.4 The Menus

### 4.4.1 The INPt (INPUT) Submenu

The INPt submenu is used to program all the characteristics of the input sensor and any signal conditioning that may be required. The selection of an option in the list may affect items further down. Therefore, during programming, the user should start at the top of the menu and work down, to avoid setting an option which may later become obsolete. Short menu items shown in bold.

TITLE	OPTIONS	DETAIL
tYPE	rtd, tc	Defines sensor type connected
dP	888.8, 88.88, 8888	Defines decimal point location
Lin	cA, J, t, r, S, E, F, n, cuSt	Shown only with TC sensor
Lin	Euro, din, JiSc, cuSt	Shown only with RTD sensor
unit	dEg c, dEg F	Defines engineering range
bout	Hi, Lo	Defines high or low scale burnout
FiLt	AdPt, nonE, 2 sec, 10 sec	Input filtering or smoothing

**4.4.2 The SyS (System) Submenu**

TITLE	OPTIONS	DETAIL
LiSt	FuLL, SHrt	Selects full or short menu
cLEn	oFF, on	Clear enable (option modules)
SPEn	oFF, on	Setpoint enable (option modules)
PASS	4 digit passcode	Modify any password code
oFFS	User defined offset	Take care when replacing sensor

Refer to section 7.0 for SLt menu structures.

**5.0 Operation**

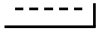
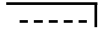
**5.1 Run Mode Operation**

The normal display shown in this mode is the process variable.

KEYPRESS	ACTION	
CYCLE (A)	View setpoints	(Adjust value if SPEn enabled)
CLEAR (A&C)	Clear latched alarms	(cLEn enabled)

**5.2 Failure Modes**

If the instrument detects an input, configuration or system error the effect upon the display and any output options fitted will be determined by the burnout setting in the input menu. These are summarised below.

Burnout	Display	Alarms	Return
Upscale		All on	22mA
Downscale		All off	OmA

## 6.0 Specification @20 °C

### 6.1.1 RTD (Pt-100)

Sensor Range		-200 to +850°C [18 to 390 ohm]
Linearisation	Standard	Euro BS EN 60751 (IEC-751) DIN BS 1904 (DIN43760) USA JISC 1604
	Custom	CUSTOM [X] 2
Measurement Accuracy		0.1°C ±0.05% Rdg
Thermal Drift	Zero	0.008 °C/°C
	Span	100 ppm / °C
Excitation Current		300µA to 550 µA
Maximum Lead Resistance		50 ohms per leg (balanced)
Lead Resistance Effect		0.002 °C/ ohm

### 6.1.2 Thermocouple Inputs

Sensor Ranges	Thermocouple Type	Measuring Range °C
	TC Type K (cA)	-200 to 1370
	TC Type J (J)	-200 to 1200
	TC Type T (t)	-210 to 400
	TC Type R (r)	-10 to 1760
	TC Type S (S)	-10 to 1760
	TC Type E (E)	-200 to 1000
	TC Type F/L (F)	-100 to 600
	TC Type N (n)	-180 to 1300
	CUSTOM (cust)	-999 to 9999
Linearisation	Standard	BS EN 60584-1 (IEC 584-1)
	Custom	CUST
Measurement Accuracy		±0.04% FRI ±0.04% Rdg or 0.5°C (Which ever is greater) FRI = Full Range Input
Thermal Drift	Zero	0.1 µV/°C
	Span	100 ppm/°C
Cold Junction Error		±0.5°C
Cold Junction Tracking		0.05°C/°C
Cold Junction Range		-30 to +60°C

**6.1.2 Thermocouple Inputs continued**

**Notes:**

1. Measurement Accuracy includes the effect of calibration, linearisation and repeatability.
2. Customer linearisation requirements are available preprogrammed at the factory, contact your supplier for details.
3. Consult thermocouple reference standards for thermocouple material limitation.

**6.2 General Specification @ 20 °C**

Input/Output Isolation	500VAC rms (galvanically isolated)
Update time	250 mS maximum
Time Constant (Filter off)	<1 second (to 63% of final value)
Filter Factor	Off, 2 Seconds, 10 Seconds or Adaptive
Warm-up time	2 minutes to full accuracy
Display Range	-999 to 9999
Power Supply	90-253 VAC 50/60 Hz, or optionally 20-35 VDC
Power Consumption	6VA Maximum (options fitted)

**Environmental**

Sealing to PANEL	IP65
Ambient Operating Range	-30 to +60 °C
Ambient Storage Temperature	-50 to +85 °C
Ambient Humidity Range	10 to 90% RH non condensing

**APPROVALS**

EMC	Emissions BS EN50081-1 Susceptibility BS EN50082-2
-----	---

ELECTRICAL SAFETY	BS EN61010-1
-------------------	--------------

**Environmental Approvals for Tension Clamp Terminals**

Low Temperature	IEC 68-2-1
Dry Heat	IEC 512-6-9
Damp Heat	IEC 512 -6-3
Damp Heat cyclical	IEC 68-2-30
Salt Spray	IEC 512-6-6
Sulphur Dioxide	IEC 68-2-46
Hydrogen Sulphide	IEC 68-2-16
Gas Tightness	IEC 512-Pr.11n



## 7.0 Option Modules

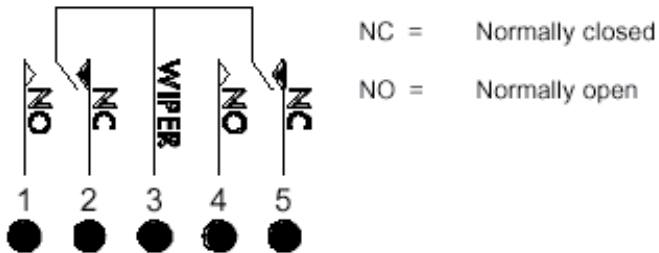
### 7.0.1 Installing Modules

Power must be removed from unit before adding/removing a module.

Slot 1 (alarm 1 and 2) should be positioned on the left side of the unit looking from the front to correspond to front panel alarm indicator, slot 2 (alarm 3 and 4) is positioned on the right.

#### 7.1 262-RLY Dual Relay Module

The relay module has two "change over" relays with a common wiper.



#### 7.1.1 SLT1, SLT2 (Relay Module) Submenu

Each relay can be set as high or low alarm independently.

TITLE	OPTIONS	DETAIL
AL1	Hi, Lo	Alarm action
SEt1	User defined	PV at which the alarm triggers
HYS1	User defined	Hysterisis band (see below)
LAt1	oFF, on	Sets latching to on or off
inUI	oFF, on	Invert relay operation

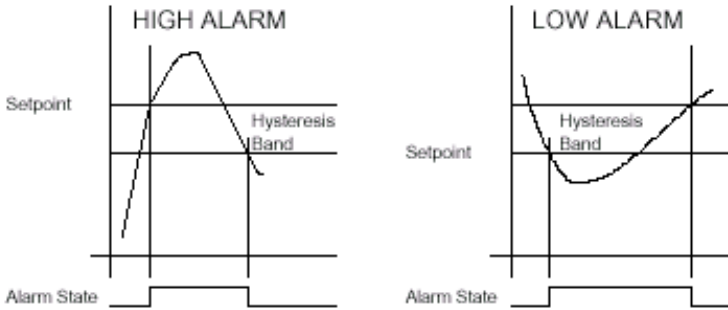
Continues through for Relays 2 - 4 (when fitted).

Short menu items shown in bold.



**7.1.1 SLT1, SLT2 (Relay Module) Submenu continued**

Hysteresis Operation

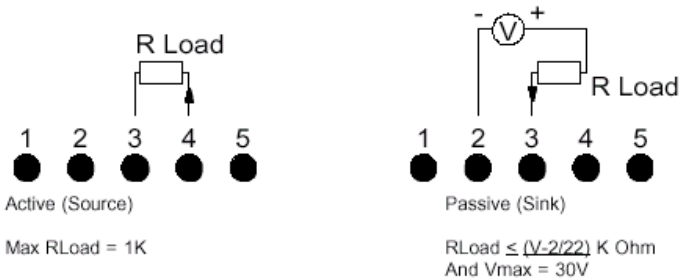


**7.1.2 Relay Specification**

	<u>AC</u>	<u>DC</u>
Maximum Load	7A @ 250V	7A @ 30V
Maximum Power	1750VA	210W
Maximum Switching	250V	125V
Electrical Life	105 operations at rated load	
Mechanical Life	50 Million operations	

**7.2 262-ALG, Isolated Analogue Output Module**

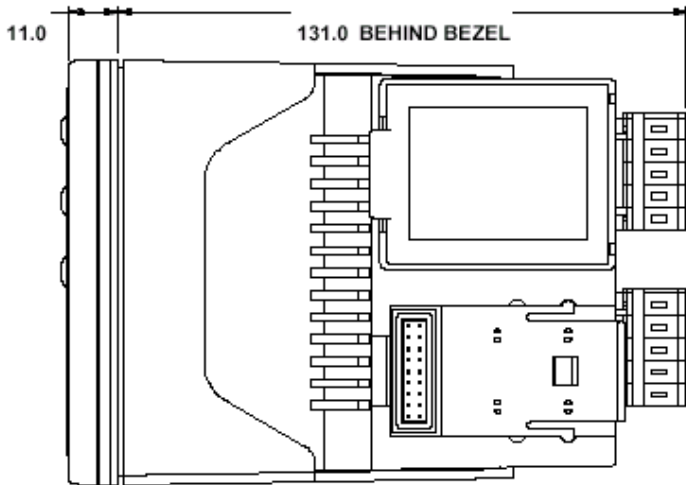
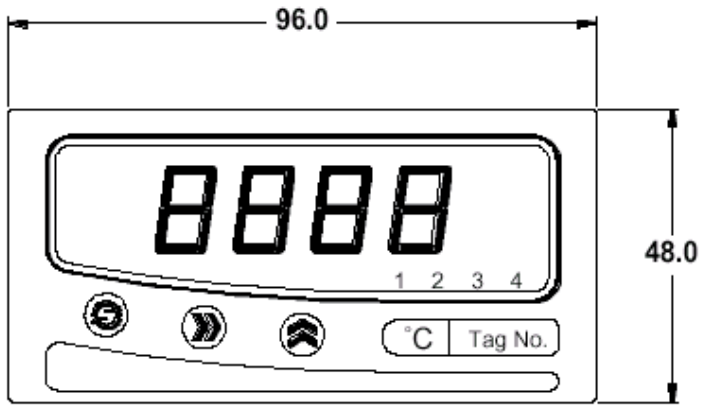
The re-transmission module (when fitted) is designed to provide 0-10mA, 0-20mA or 4-20mA output in active or passive modes. The output can be any portion of the display. The module can be used in two modes:



Note: Only one analogue output module can be fitted.

### 8.0 Mechanical Detail

Material	ABS/PC
Weight	200g
Flammability	IEC707 FV0
Module weight	40g typical
Panel cutout	92mm x 45mm



---

The Information contained in these installation instructions is for use only by installers trained to make electrical power installations and is intended to describe the correct method of installation for this product. However, Tyco Electronics has no control over the field conditions which influence product installation.

It is the user's responsibility to determine the suitability of the installation method in the user's field conditions. Tyco Electronics' only obligations are those in Tyco Electronics' standard Conditions of Sale for this product and in no case will Tyco Electronics be liable for any other incidental, indirect or consequential damages arising from the use or misuse of the products. Crompton is a trade mark.

---



**Tyco Electronics UK Limited**  
**Crompton Instruments**

Freebournes Road, Witham, Essex, CM8 3AH, UK  
Tel: +44 1376 509 509 Fax: +44 1376 509 511

<http://energy.tycoelectronics.com>