

CURRENT TRANSFORMERS

Model 3P4 Assembly (3 Phase with Window Size: 1.56" Diameters)

Application: Used with ammeters, watt meters and cross current compensation.

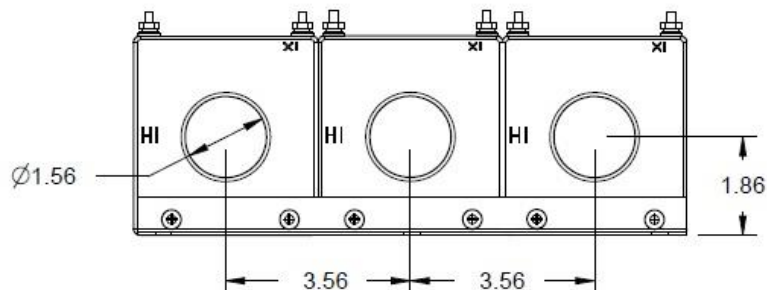
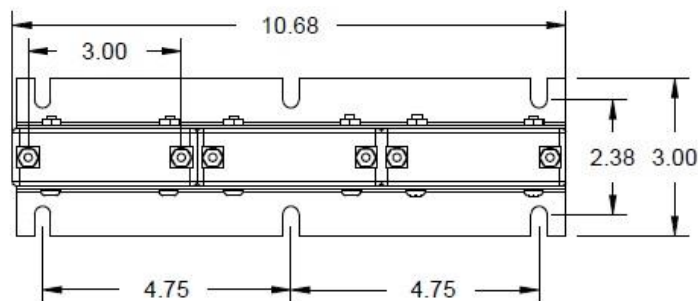
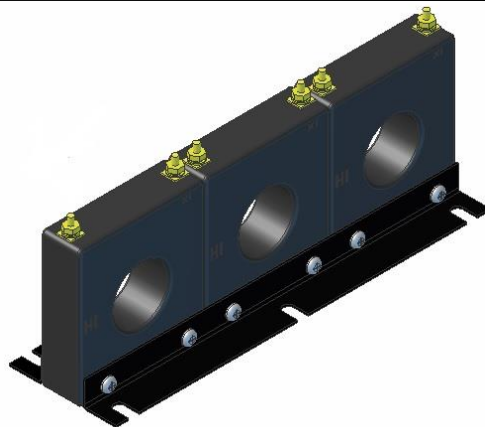
Frequency: 50-400 Hz

CruUS E238872 CSAus 245941

Insulation Level: 600 Volts, 10Kv BIL Full Wave

Standards: CSA 66.1-06, CSA 66.2-06, IEEE C 57.13, and UL 506

- The Model 3P4 Series are three (3) Model 5SHT units mounted on a single base.
- Terminals are brass. Stud and Female options w/ hardware available. See Page 2 (Note: Terminals are only available on the square case configuration.)
- Approximate weight: 6.75 lbs.



3 PHASE CURRENT TRANSFORMERS

Model 3P4 Series Assembly (Window Size: 1.56" Diameters)

Catalog Number	Current Ratio	Models 3P4	
		Accuracy at 60 Hz	Burden VA at 60Hz
3P4-500	50:5	± 2%	1.0
3P4-600	60:5	± 2%	1.5
3P4-750	75:5	± 2%	1.5
3P4-101	100:5	± 1%	2.0
3P4-151	150:5	± 1%	5.0
3P4-201	200:5	± 1%	5.0
3P4-251	250:5	± 1%	10.0
3P4-301	300:5	± 1%	12.5
3P4-401	400:5	± 1%	12.5
3P4-501	500:5	± 1%	20.0
3P4-601	600:5	± 1%	25.0
3P4-751	750:5	± 1%	25.0
3P4-801	800:5	± 1%	25.0
3P4-102	1000:5	± 1%	25.0
3P4-122	1200:5	± 1%	30.0

