

CURRENT TRANSFORMERS

Model 781-122MR (Window Size: 6.50" Diameter)



Application: Used with ammeters, watt meters and cross current compensation.

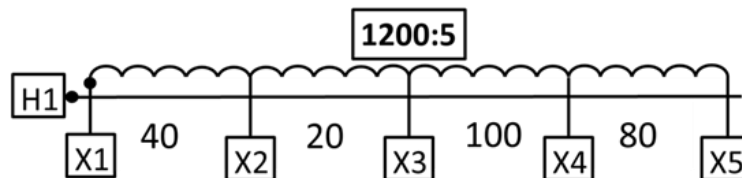
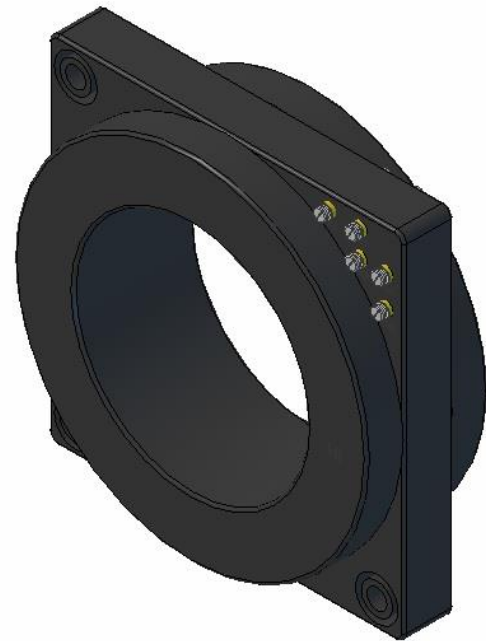
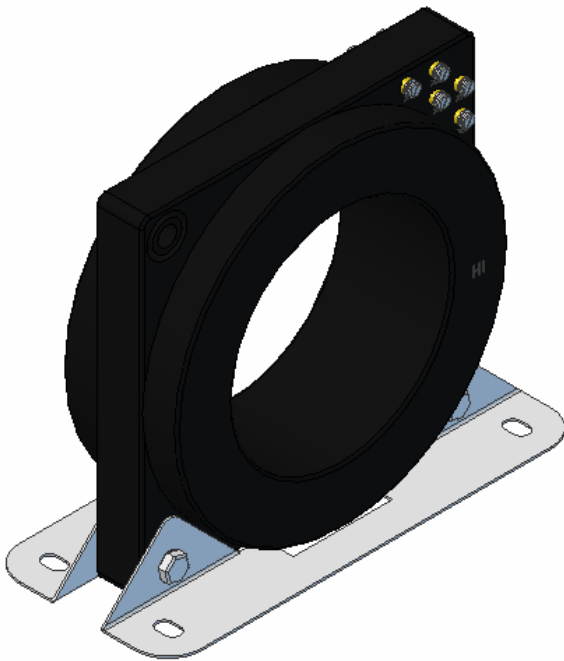
Frequency: 50-400 Hz

Insulation Level: 600 Volts, 10Kv BIL Full Wave

Standards: CSA 66.1-06, CSA 66.2-06, IEEE C 57.13, and UL 506

cRUus E238872 CSAus 245941

- Terminals are Female Brass No. 10-32 UNC with one flat washer, one lock washer and one pan head screw each.
- Approximate weight: 30 lbs.
- Mounting Bracket Kits are sold separately (P/N Bracket 780 Kit-3)



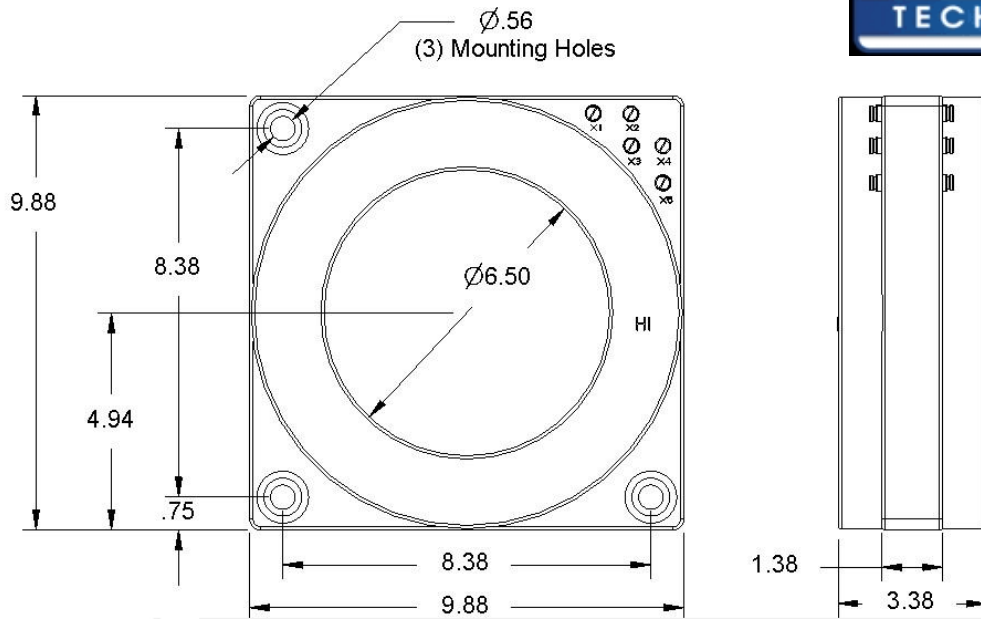
CURRENT TRANSFORMERS

Model 781-122MR (Window Size: 6.50" Diameter)



| Model | Ratio | Terminal Designation | Relay Class | ANSI METERING CLASS AT 60 Hz | | | | | Secondary Winding Resistance |
|-----------|--------|----------------------|-------------|------------------------------|------|------|------|------|------------------------------|
| | | | | B0.1 | B0.2 | B0.5 | B0.9 | B1.8 | |
| 781-122MR | 100:5 | X2 - X3 | C10 | 2.4 | 2.4 | 4.8 | -- | -- | 0.035 |
| 781-122MR | 200:5 | X1 - X2 | C20 | 0.6 | 0.6 | 1.2 | 2.4 | 4.8 | 0.067 |
| 781-122MR | 300:5 | X1 - X3 | C20 | 0.3 | 0.6 | 0.6 | 1.2 | 2.4 | 0.102 |
| 781-122MR | 400:5 | X4 - X5 | C50 | 0.3 | 0.3 | 0.6 | 0.6 | 1.2 | 0.137 |
| 781-122MR | 500:5 | X3 - X4 | C50 | 0.3 | 0.3 | 0.3 | 0.6 | 0.6 | 0.171 |
| 781-122MR | 600:5 | X2 - X4 | C50 | 0.3 | 0.3 | 0.3 | 0.3 | 0.6 | 0.204 |
| 781-122MR | 800:5 | X1 - X4 | C100 | 0.15 | 0.3 | 0.3 | 0.3 | 0.6 | 0.271 |
| 781-122MR | 900:5 | X3 - X5 | C100 | 0.15 | 0.15 | 0.3 | 0.3 | 0.3 | 0.302 |
| 781-122MR | 1000:5 | X2 - X5 | C100 | 0.15 | 0.15 | 0.15 | 0.3 | 0.3 | 0.335 |
| 781-122MR | 1200:5 | X1 - X5 | C200 | 0.15 | 0.15 | 0.15 | 0.3 | 0.3 | 0.403 |

Dimensions of Model 781



Dimensions of Model 781 With Brackets

