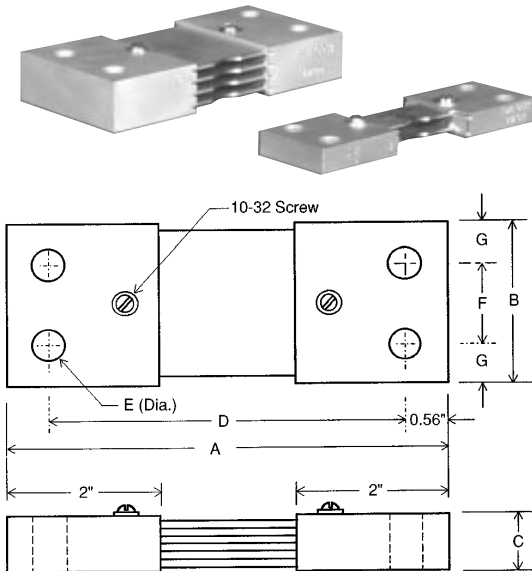


TYPE E: 300 through 1,200 Amperes



TYPE E: 50 mV

Catalog Number	AMP	A	B	C	D	E	F	G
E-300-50	300	5.87	1.75	0.50	4.75	0.43	1	0.37
E-400-50	400	5.87	2	0.75	4.75	0.43	1.25	0.37
E-500-50	500	5.87	2	0.75	4.75	0.43	1.25	0.37
E-600-50	600	5.87	2	0.75	4.75	0.43	1.25	0.37
E-750-50	750	5.87	2.25	0.75	4.75	0.43	1.50	0.37
E-800-50	800	5.87	2.37	0.75	4.75	0.43	1.50	0.43
E-1000-50	1000	5.87	2.50	1	4.75	0.43	1.50	0.50
E-1200-50	1200	5.87	2.87	1	4.75	0.43	1.50	0.68

TYPE E: 100 mV

Catalog Number	AMP	A	B	C	D	E	F	G
E-300-100	300	7.75	1.75	0.50	6.62	0.43	1	0.37
E-400-100	400	7.75	2	0.75	6.62	0.43	1.25	0.37
E-500-100	500	7.75	2	0.75	6.62	0.43	1.25	0.37
E-600-100	600	7.75	2	0.75	6.62	0.43	1.25	0.37
E-750-100	750	7.75	2.25	0.75	6.62	0.43	1.50	0.37
E-800-100	800	7.75	2.37	0.75	6.62	0.43	1.50	0.43
E-1000-100	1000	7.75	2.50	1	6.62	0.43	1.50	0.50
E-1200-100	1200	7.75	2.87	1	6.62	0.43	1.50	0.68

Tolerances $\pm .015$ for the hole diameters. Other tolerances $\pm .030$ unless specified.
Dimensions subject to change without notice.



Crompton Technology Inc.
7536 Bath Road
Mississauga, Ontario L4T 1L2
T (905)671-2304
F (905)671-3661
info@cromptoncanada.com
www.cromptoncanada.com