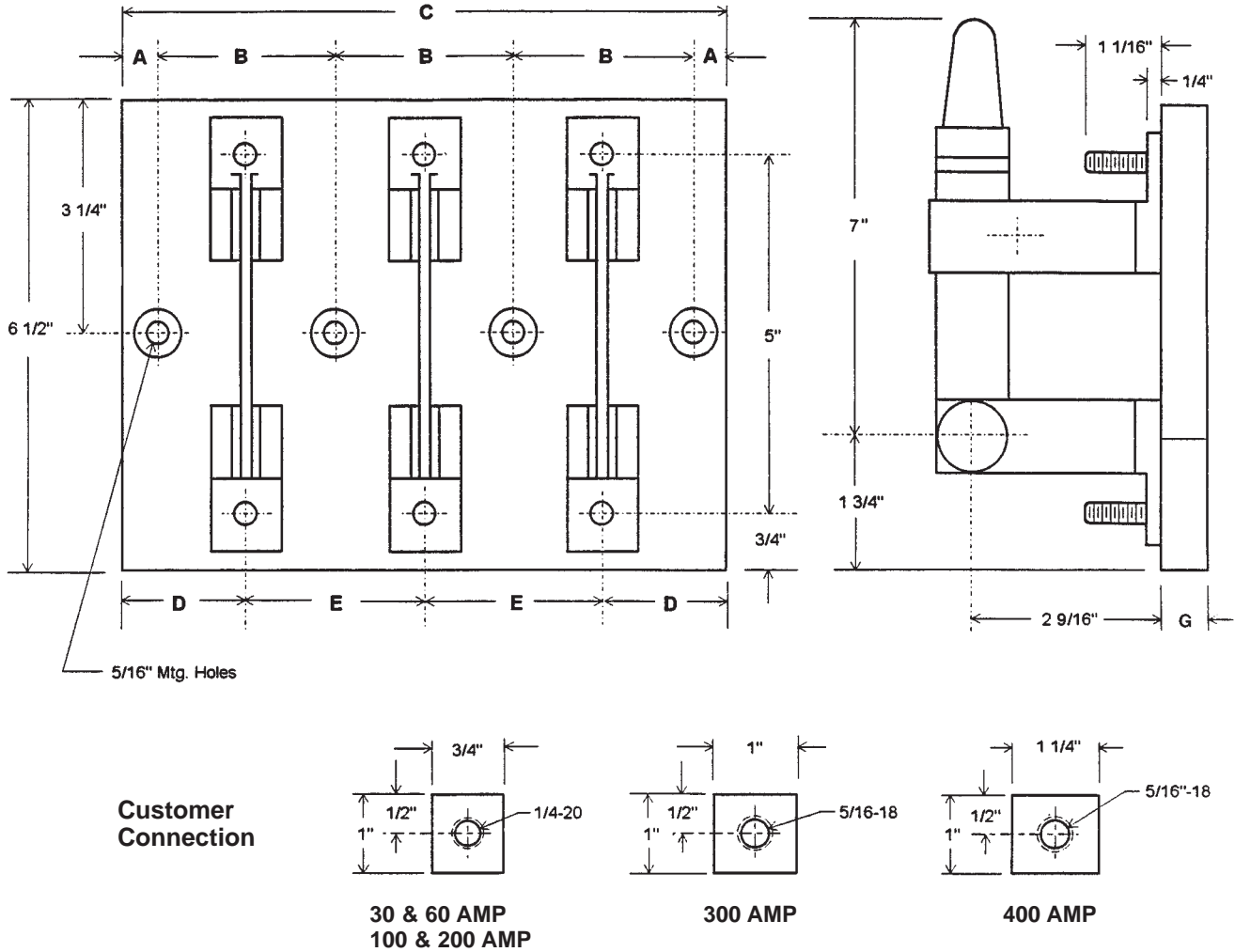


Knife Switches

TYPE A - Single Throw - Front Connected: 30, 60, 100, 200, 300 and 400 Amp

Shown as Basic Switch. For options, download Info/Opt.pdf



NOTE: 30 and 60 Amp – Parts bright dipped, insulation red polyglass
100 to 400 Amp – Parts silver plated, insulation red polyglass

30, 60, 100, 200, 300 and 400 AMP — 250 VDC / 500 VAC

POLES	A	B	C	D	E	G	No. of Mtg. Holes
Single	1/2	2 1/2	3 1/2	1 1/4	—	3/4	2
Two	1/2	2 1/2	6	1 1/4	2 1/2	3/4	3
Three	1/2	2 1/2	8 1/2	1 1/4	2 1/2	3/4	4

600 VDC / VAC

G
1
1
1

Crompton
TECHNOLOGY

Crompton Technology Inc.
7536 Bath Road
Mississauga, Ontario L4T 1L2
T (905)671-2304
F (905)671-3661
info@cromptoncanada.com
www.cromptoncanada.com

Tolerances ± .015 for the hole diameters. Other tolerances ± .030 unless specified.
Dimensions subject to change without notice.