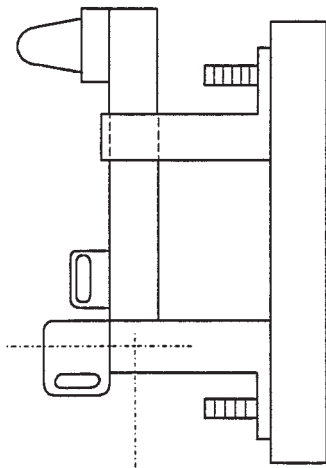


Knife Switches

Type A – Heavy Duty Knife Switches

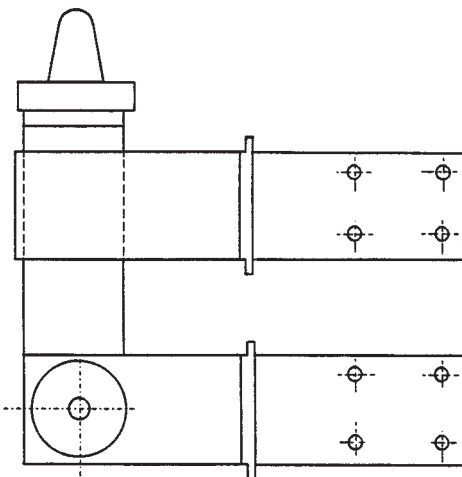


Type A Heavy Duty Knife Switches are front connected units, complete with molded handles and insulated bases. They are low maintenance switches, with a long operating life, specifically designed for the severe conditions of industrial use. They feature low operating effort design, standardized dimensions, soldered and silver plated construction, adjustable contacts, and safety handles.

AMPERE RATING – Front Connected

30	1600
60	2000
100	2500
200	3000
300	
400	
600	
800	
1200	

Type B – Heavy Duty Knife Switches



Type B Heavy Duty Knife Switches are similar to Type A, except they are back connected units without base plates. The 30, 60, 100, 200, 300 and 400 amperes sizes utilize stud connections. The 600 ampere and larger sizes utilize bus bar connections.

AMPERE RATING – Back Connected

30	1600
60	2000
100	2500
200	3000
300	4000
400	6000
600	8000
800	10000
1200	15000

CURRENT RATING: All Type A and Type B Heavy Duty Knife Switches are rated for continuous operation, based upon a 40°C temperature rise and a 40°C ambient.