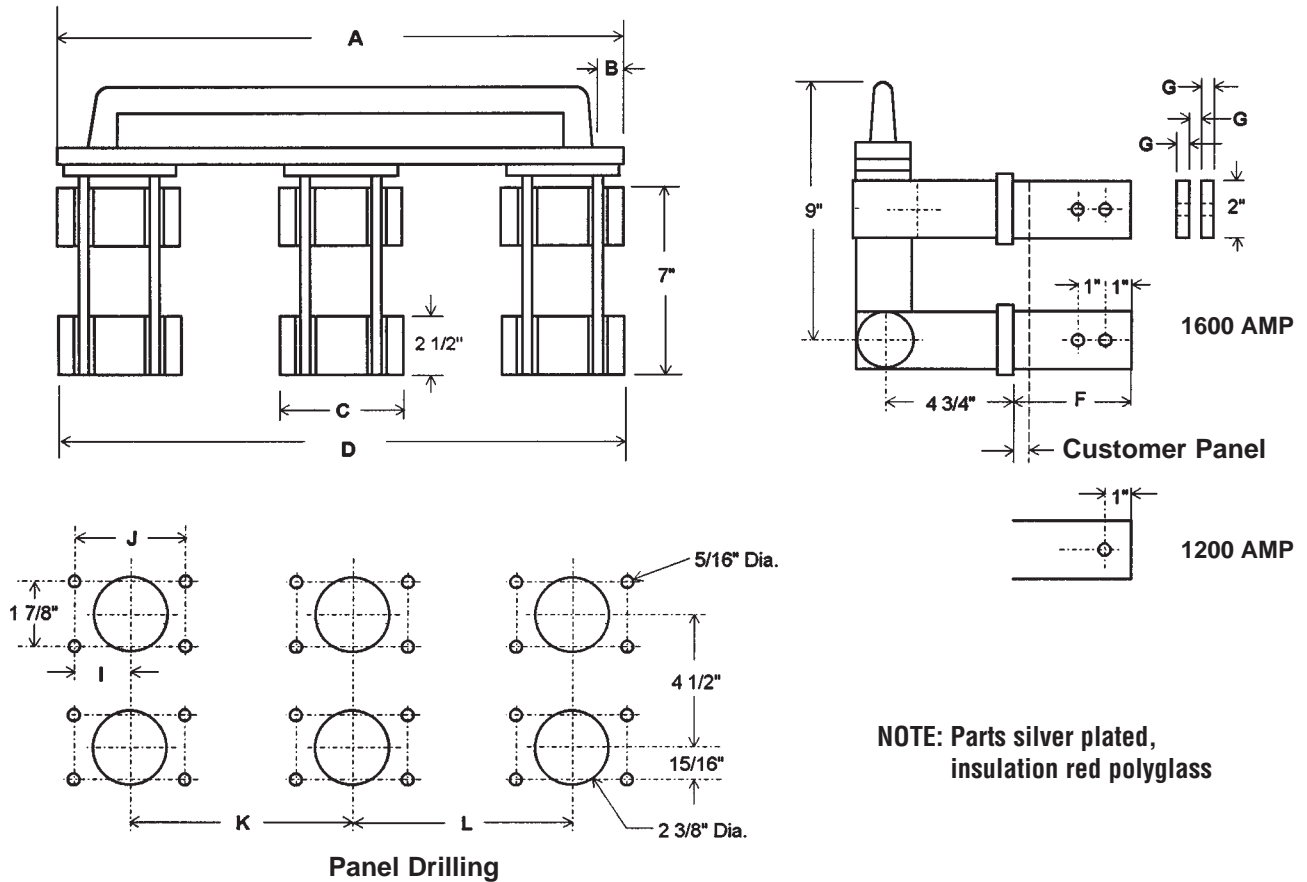




Knife Switches

TYPE B - Single Throw - Back Connected: 1200 and 1600 Amp

Shown as Basic Switch. For options, download Info/Opt.pdf



NOTE: Parts silver plated, insulation red polyglass

1200 AMP — 600 VDC / VAC OR LESS

POLES	A	B	C	D	F	G	I	J	K	L
Single	6 1/4	2 3/32	4	—	3	1/4	1 11/16	3 3/8	—	—
Two	9 11/16	1 1/16	4	9 7/8	3	1/4	1 11/16	3 3/8	5 1/2	—
Three	15 3/16	1 1/16	4	14 15/16	3	1/4	1 11/16	3 3/8	5 1/2	5 1/2

1600 AMP — 600 VDC / VAC OR LESS

POLES	A	B	C	D	F	G	I	J	K	L
Single	5 1/4	1 1/8	5 1/4	—	4	3/8	2 5/16	4 5/8	—	—
Two	10 1/2	—	5 1/4	12 3/4	4	3/8	2 5/16	4 5/8	7 1/2	—
Three	21 1/8	1 1/16	5 1/4	20 1/4	4	3/8	2 5/16	4 5/8	7 1/2	7 1/2

Tolerances ± .015 for the hole diameters. Other tolerances ± .030 unless specified. Dimensions subject to change without notice.



Crompton Technology Inc.
7536 Bath Road
Mississauga, Ontario L4T 1L2
T (905)671-2304
F (905)671-3661
info@cromptoncanada.com
www.cromptoncanada.com