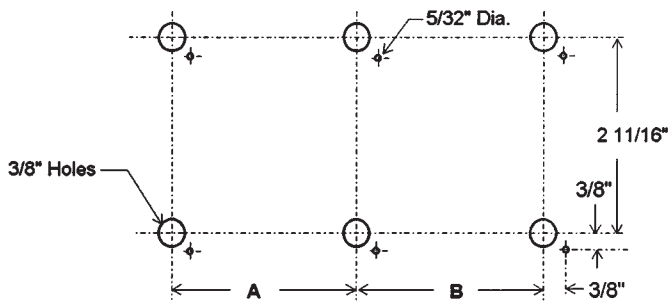
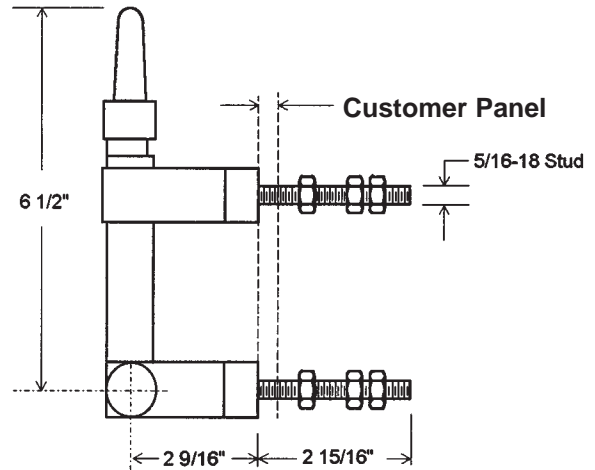
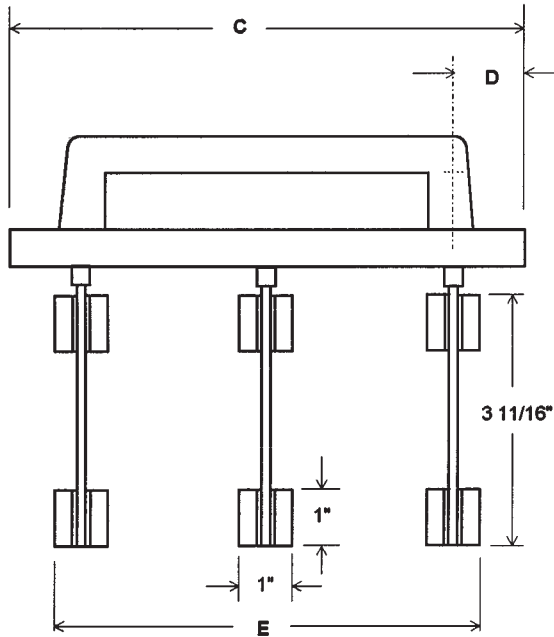




TYPE B - Single Throw - Back Connected: 30 and 60 Amp

Shown as Basic Switch. For options, download [Info/Opt.pdf](#)



Panel Drilling

**NOTE: Parts bright dipped,
insulation red polyglass**

30 and 60 AMP — 600 VDC / VAC OR LESS

POLES	A	B	C	D	E
Single	—	—	4	2	1
Two	2 $\frac{7}{8}$	—	5 $\frac{1}{4}$	1 $\frac{5}{16}$	3 $\frac{7}{8}$
Three	2 $\frac{7}{8}$	2 $\frac{7}{8}$	5 $\frac{1}{4}$	—	6 $\frac{1}{4}$