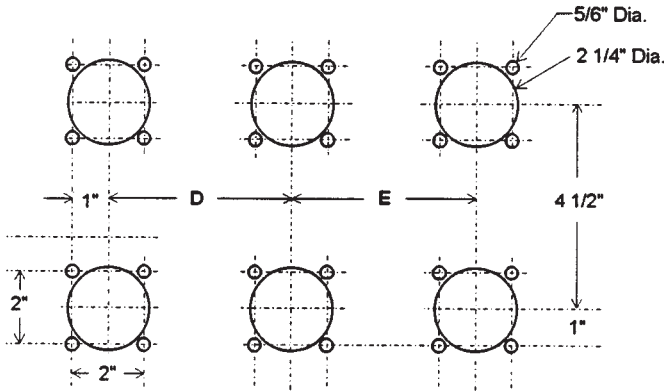
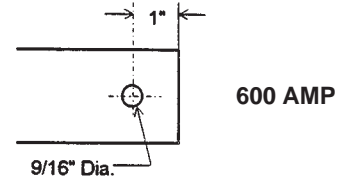
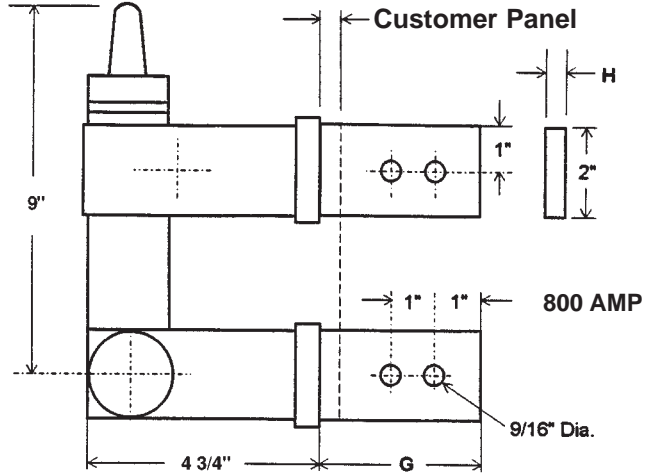
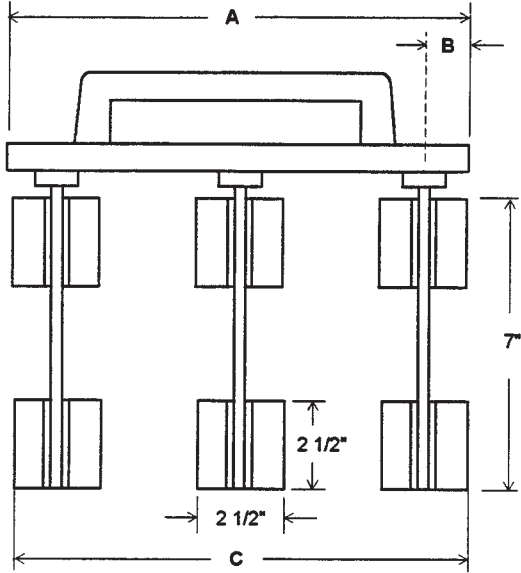


Knife Switches

TYPE B - Single Throw - Back Connected: 600 Amp and 800 Amp

Shown as Basic Switch. For options, download Info/Opt.pdf



Panel Drilling

NOTE: Parts silver plated, insulation red polyglass

600 and 800 AMP — 600 VDC / VAC OR LESS

POLES	A	B	C	D	E	600 AMP		800 AMP	
						G	H	G	H
Single	3 3/8	1 11/16	2 1/2	—	—	3	1/4	4	3/8
Two	6 1/4	1	6 3/4	4 1/4	—	3	1/4	4	3/8
Three	9 1/4	3/8	11	4 1/4	4 1/4	3	1/4	4	3/8