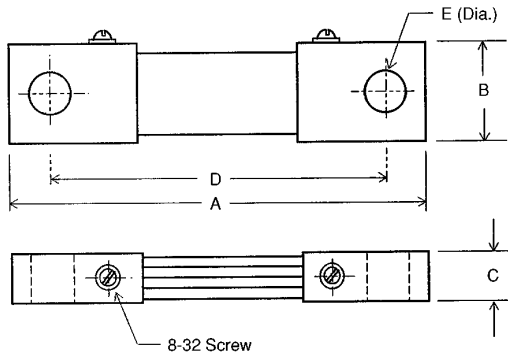
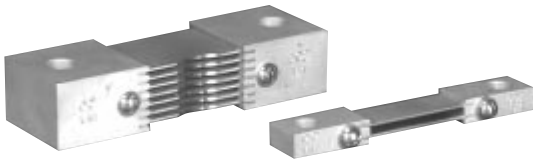


TYPE V: 15 through 600 Amperes



TYPE V: 50 mV

Catalog Number	AMP	A	B	C	D	E
V-15-50	15	4.12	0.62	0.37	3.31	0.34
V-20-50	20	4.12	0.62	0.37	3.31	0.34
V-50-50	50	4.12	0.62	0.37	3.31	0.34
V-75-50	75	4.12	0.62	0.37	3.31	0.34
V-100-50	100	4.12	0.62	0.37	3.31	0.34
V-125-50	125	4.12	0.81	0.37	3.31	0.34
V-150-50	150	4.12	0.93	0.37	3.31	0.34
V-175-50	175	4.12	0.75	0.50	3.31	0.34
V-200-50	200	4.12	0.81	0.50	3.31	0.34
V-250-50	250	4.12	1.06	0.50	3.31	0.34
V-300-50	300	4.12	1.25	0.50	3.31	0.34
V-375-50	375	4.62	0.93	0.75	3.62	0.40
V-400-50	400	4.62	1	0.75	3.62	0.40
V-500-50	500	4.62	1.25	0.75	3.62	0.40
V-600-50	600	4.62	1.50	0.75	3.62	0.40

TYPE V: 100 mV

Catalog Number	AMP	A	B	C	D	E
V-50-100	50	5.75	0.62	0.37	4.93	0.34
V-75-100	75	5.75	0.62	0.37	4.93	0.34
V-100-100	100	5.75	0.62	0.37	4.93	0.34
V-150-100	150	5.75	0.93	0.37	4.93	0.34
V-200-100	200	5.75	0.81	0.50	4.93	0.34
V-250-100	250	5.75	1.06	0.50	4.93	0.34
V-300-100	300	5.75	1.25	0.50	4.93	0.34
V-375-100	375	6.25	0.93	0.75	5.31	0.40
V-400-100	400	6.25	1	0.75	5.31	0.40
V-500-100	500	6.25	1.25	0.75	5.31	0.40
V-600-100	600	6.25	1.50	0.75	5.31	0.40

Tolerances $\pm .015$ for the hole diameters. Other tolerances $\pm .030$ unless specified.
Dimensions subject to change without notice.



Crompton Technology Inc.
7536 Bath Road
Mississauga, Ontario L4T 1L2
T (905)671-2304
F (905)671-3661
info@cromptoncanada.com
www.cromptoncanada.com