



Base Mount Shunts

FN - 1 to 500 AMPS

GENERAL INFORMATION:

Extending measurement of currents beyond available limits of self-contained DC ammeters

APPLICATIONS:

Panel meters, Switchboard, solar, rail, or other DC applications

CONTINUOUS OPERATION

Recommended that shunts are not run at more than two-thirds (2/3) the rated current under normal conditions as per IEEE standards



Model	FN
Amperes	1 - 500

MODEL FN – 1 to 500 AMPS

Approximate weight: 0.6 lbs.

50 mV Series

CATALOG NUMBER	INPUT (AMPS)	OUTPUT (mV)	ACCURACY
FN-1-50	1	50	± 0.25%
FN-2-50	2	50	± 0.25%
FN-5-50	5	50	± 0.25%
FN-10-50	10	50	± 0.25%
FN-20-50	20	50	± 0.25%
FN-50-50	50	50	± 0.25%
FN-100-50	100	50	± 0.25%
FN-150-50	150	50	± 0.25%
FN-200-50	200	50	± 0.25%
FN-250-50	250	50	± 0.25%
FN-300-50	300	50	± 0.25%
FN-400-50	400	50	± 0.25%
FN-500-50	500	50	± 0.25%

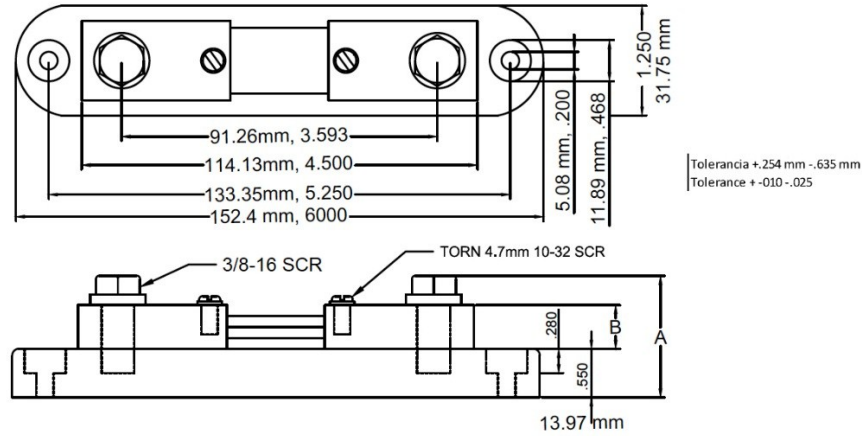
100 mV Series

CATALOG NUMBER	INPUT (AMPS)	OUTPUT (mV)	ACCURACY
FN-1-100	1	100	± 0.25%
FN-2-100	2	100	± 0.25%
FN-5-100	5	100	± 0.25%
FN-10-100	10	100	± 0.25%
FN-15-100	15	100	± 0.25%
FN-20-100	20	100	± 0.25%
FN-25-100	25	100	± 0.25%
FN-50-100	50	100	± 0.25%
FN-75-100	75	100	± 0.25%
FN-100-100	100	100	± 0.25%
FN-200-100	200	100	± 0.25%
FN-300-100	300	100	± 0.25%
FN-500-100	500	100	± 0.25%

Tolerances ± 0.015 in (0.381 mm) for hole diameters.

Other tolerances ± 0.030 in (0.762 mm) unless otherwise noted.

Dimensions are subjects to change without notice.



50mv MODEL TYPE FN 1 THROUGH 500 AMPERES

CATALOG No.	AMP	A		B	
		mm	in	mm	in
FN-1-50*	1	35.05	1.38	12.7	1/2
FN-2-50*	2	35.05	1.38	12.7	1/2
FN-5-50*	5	35.05	1.38	12.7	1/2
FN-10-50*	10	35.05	1.38	12.7	1/2
FN-20-50	20	35.05	1.38	12.7	1/2
FN-50-50	50	35.05	1.38	12.7	1/2
FN-100-50	100	35.05	1.38	12.7	1/2
FN-150-50	150	35.05	1.38	12.7	1/2
FN-200-50	200	35.05	1.38	12.7	1/2
FN-250-50	250	41.40	1.63	19.05	3/4
FN-300-50	300	41.40	1.63	19.05	3/4
FN-400-50	400	41.40	1.63	19.05	3/4
FN-500-50	500	41.40	1.63	19.05	3/4

100mv MODEL TYPE FN 1 THROUGH 500 AMPERES

CATALOG No.	AMP	A		B	
		mm	in	mm	in
FN-1-100	1	35.05	1.38	12.7	1/2
FN-2-100	2	35.05	1.38	12.7	1/2
FN-5-100	5	35.05	1.38	12.7	1/2
FN-10-100	10	35.05	1.38	12.7	1/2
FN-20-100	20	35.05	1.38	12.7	1/2
FN-50-100	50	35.05	1.38	12.7	1/2
FN-100-100	100	35.05	1.38	12.7	1/2
FN-150-100	150	35.05	1.38	12.7	1/2
FN-200-100	200	35.05	1.38	12.7	1/2
FN-250-100	250	35.05	1.38	12.7	1/2
FN-300-100	300	35.05	1.38	12.7	1/2
FN-400-100	400	41.40	1.63	19.05	3/4
FN-500-100	500	41.40	1.63	19.05	3/4

*Low amperage models are furnished with protective covers.

Tolerances ± 0.015 in (0.381 mm) for hole diameters.

Other tolerances ± 0.030 in (0.762 mm) unless otherwise noted.

Dimensions are subjects to change without notice.