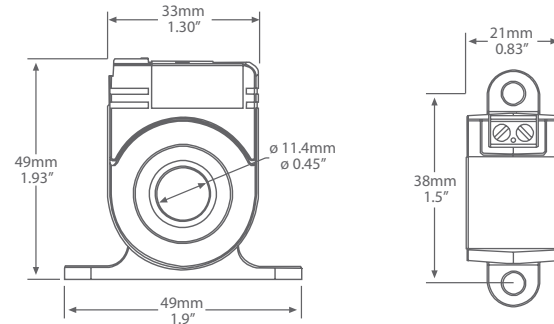


MINI CURRENT SENSOR



CS-651

PRODUCT DESCRIPTION

The CS-651 series of mini current sensors monitor line current for electrical loads such as pumps, conveyors, machine tools or fans and provide an output of 0-10 Vdc to represent the load current.

The CS-651 requires no external power supply as they are totally powered by induction from the AC line being monitored.

TYPICAL INSTALLATION

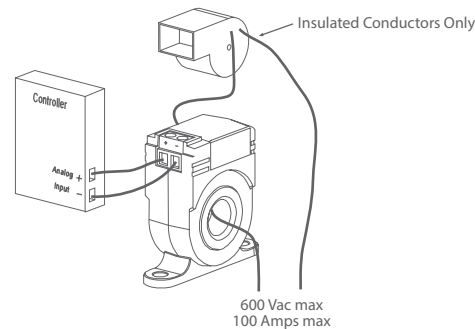
For complete installation and wiring details, please refer to the product installation instructions.

The CS-651 series must be mounted in an electrical enclosure and has an integral mounting tab to allow screw mount to a surface.

The CS-651 series has a 2 wire connection to the Building Automation System.

SPECIFICATIONS

MEASUREMENT RANGE	0-10, 20, or 50 Amps
MAXIMUM INPUT CURRENT	100 Amps continuous
ACCURACY	±1% FSO (5-100% of range)
SIGNAL OUTPUT	0-10 Vdc
SENSOR POWER	Self-powered
INSULATION CLASS	600 Vac, insulated conductors
FREQUENCY	50/60 Hz
RESPONSE TIME	250 mS typical, 0-90%
OUTPUT LOAD	1 MΩ typical
LOADING ERROR	Add 1.2% error with 100KΩ
OPERATING TEMPERATURE	-15 to 60°C (5 to 140°F)
OPERATING HUMIDITY	5 to 90 %RH non-condensing
TERMINAL BLOCK	14 to 22 AWG
DIMENSIONS	48mm W x 49mm H x 21mm D (1.9" x 1.93" x 0.83")
SENSOR APERTURE	11.4mm (0.45")
ENCLOSURE MATERIAL	ABS/PC, UL94-V0
AGENCY APPROVALS	cULus listed



ORDERING

PRODUCT	CS-651	Mini Solid-Core Current Sensor, 0-10 Vdc Output
SENSING RANGE	10	0-10 Amps
	20	0-20 Amps
	50	0-50 Amps

PART NUMBER

CS-651