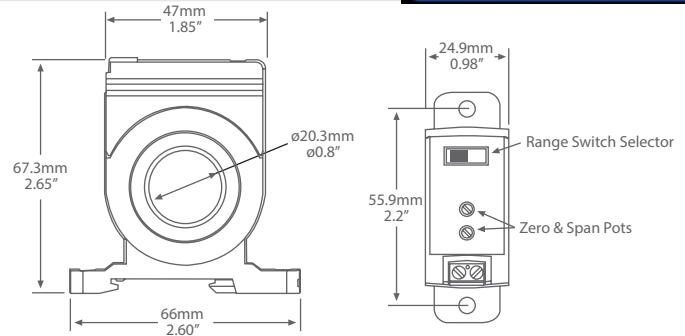


CURRENT SENSOR



CS-652

PRODUCT DESCRIPTION

The CS-652 Series current sensors monitor line current for electrical loads such as pumps, conveyors, machine tools, or fans and output a 4-20 mA signal to represent the load current. The CS-652 is loop-powered and requires a 15-30 Vdc supply.

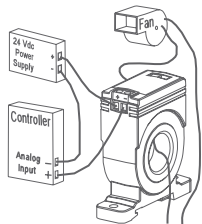
The sensors are typically used to monitor motor operation and can be used to determine motor failure, belt loss, machine feed rates or tool wear.

TYPICAL INSTALLATION

For complete installation and wiring details, please refer to the product installation instructions.

The CS-652 series must be mounted in an electrical enclosure and has an integral mounting tab to allow screw mount to a surface.

The CS-652 series has a 2 wire connection to the Building Automation System.



600 Vac max
200 Amps max
Insulated Conductors Only

SPECIFICATIONS

MEASUREMENT RANGE	CS-652-R1: 0-10/20/50 Amps CS-652-R2: 0-50/100/150 Amps CS-652-200: 0-200 Amps
MAXIMUM INPUT CURRENT	CS-652-R1: 100 Amps continuous CS-652-R2: 150 Amps continuous CS-652-200: 250 Amps continuous
ACCURACY	CS-652-R1/R2: ±2% FSO (5-100% of range) CS-652-200: ±1% FSO (5-100% of range)
SIGNAL OUTPUT	4-20 mA
SENSOR POWER	15-30 Vdc, loop-powered
INSULATION CLASS	600 Vac, insulated conductors
FREQUENCY	50/60 Hz
RESPONSE TIME	250 mS typical, 0-90%
OUTPUT LOAD	250Ω typical
MAXIMUM LOAD	>600Ω at 24 Vdc
OPERATING TEMPERATURE	-15 to 60°C (5 to 140°F)
OPERATING HUMIDITY	5 to 90 %RH non-condensing
TERMINAL BLOCK	14 to 22 AWG
DIMENSIONS	67mm W x 68.6mm H x 24.1mm D (2.65" x 2.7" x 0.95")
SENSOR APERTURE	20.3mm (0.8")
ENCLOSURE MATERIAL	ABS/PC, UL94-V0
AGENCY APPROVALS	cULus listed

ORDERING

PRODUCT	CS-652	Solid-Core Current Sensor, 4-20 mA Output
SENSING RANGE	R1 R2 200	0-10/20/50 Amps - switch selectable 0-50/100/150 Amps - switch selectable 0-200 Amps

PART NUMBER

CS-652