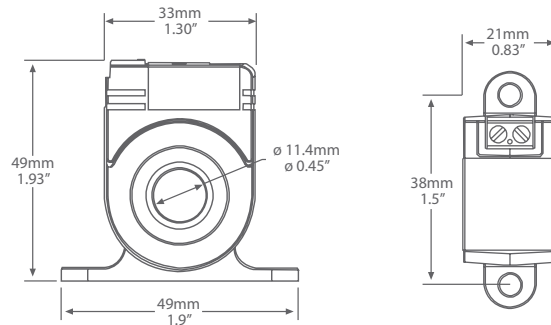


MINI CURRENT SENSOR



CS-652

PRODUCT DESCRIPTION

The CS-652 series of mini current sensors monitor line current for electrical loads such as pumps, conveyors, machine tools or fans and provide an output of 4-20 mA to represent the load current.

The CS-652 series is loop-powered and requires an external 15-30 Vdc power supply.

TYPICAL INSTALLATION

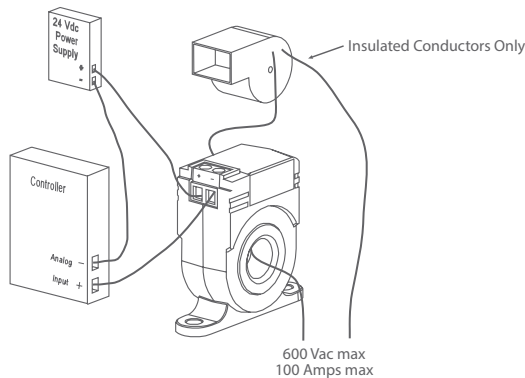
For complete installation and wiring details, please refer to the product installation instructions.

The CS-652 series must be mounted in an electrical enclosure and has an integral mounting tab to allow screw mount to a surface.

The CS-652 series has a 2 wire connection to the Building Automation System.

SPECIFICATIONS

MEASUREMENT RANGE	0-10, 20, or 50 Amps
MAXIMUM INPUT CURRENT	100 Amps continuous
ACCURACY	±1% FSO (5-100% of range)
SIGNAL OUTPUT	4-20 mA
SENSOR POWER	15-30 Vdc, loop-powered
INSULATION CLASS	600 Vac, insulated conductors
FREQUENCY	50/60 Hz
RESPONSE TIME	250 mS typical, 0-90%
OUTPUT LOAD	250Ω typical
MAXIMUM LOAD	>600Ω at 24 Vdc
OPERATING TEMPERATURE	-15 to 60°C (5 to 140°F)
OPERATING HUMIDITY	5 to 90 %RH non-condensing
TERMINAL BLOCK	14 to 22 AWG
DIMENSIONS	48mm W x 49mm H x 21mm D (1.9" x 1.93" x 0.83")
SENSOR APERTURE	11.4mm (0.45")
ENCLOSURE MATERIAL	ABS/PC, UL94-V0
AGENCY APPROVALS	cULus listed



ORDERING

PRODUCT	CS-652	Mini Solid-Core Current Sensor, 4-20 mA Output
SENSING RANGE	10 20 50	0-10 Amps 0-20 Amps 0-50 Amps

PART NUMBER

CS-652