

# Model IKU

## Terminal Block

### Application

Control and power wire termination. Short circuiting versions for meter servicing, CT tap changing, ...etc.

### Features

- Rugged chip resistant heavy duty construction
- 2,4,6,8 and 12 pole configurations
- #10-32 tin plated slotted washer head terminal screws
- U.L. recognized 105 degree C. thermoplastic body material
- 4, 6 and 8 pole shorting style available with 4 “on board” slotted head shorting screws. Covers also available.
- Surface mounting flat base for direct one piece terminal block replacement
- Marking strip provided ( on the cover for shorting style blocks;

- Optional clear bi-directional hinged plastic cover
- Wide brass terminals allow lugs up to 1/2” in width
- Wire size - copper 18-10 AWG.
- UL and CUL recognized (E241554)

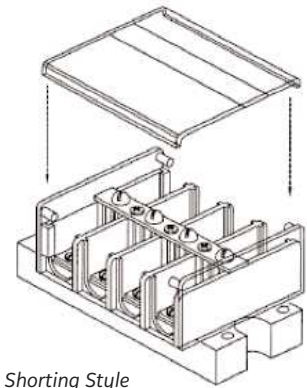
### Ratings

#### Voltage:

300 VAC Shorting Style

#### Current:

50 Amp w/Crimp Type Lug  
30 Amp w/Bare Wire

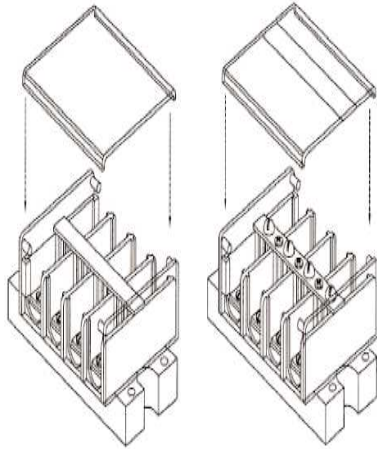


Shorting Style

### Model IKU

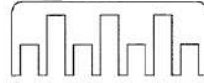
Number of Poles	Mounting Dimensions (inches)			Shorting Style
	L	D Min.	D Max	Catalog Number with Cover
4	3.25	2.88	3.00	<b>IKU4SC</b>
6	4.50	4.12	4.25	<b>IKU6SC</b>
8	5.75	5.38	5.50	<b>IKU8SC</b>

# Model IKU

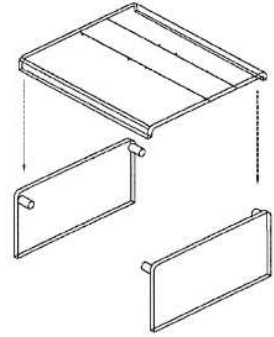


Non-Shorting Style

Shorting Style



Jumper



Cover Kit

