

CAPACITOR TRIP DEVICE

Model CTD-5 (120 VAC or 240 VAC)

cULus E300189

Crompton
TECHNOLOGY

Application: This device provides a source of energy for circuit breakers and switch trip coil operation during a loss of AC control voltage.

Operation: The capacitor is continuously charged when control power is available, providing energy for normal trip coil operation. Because mechanical relays are not involved, energy for the trip coil operation is immediately available with the loss of control power. When the control power returns, the capacitor automatically charges to supply energy for the next trip coil operation.

Nominal 120VAC, or 240VAC is applied between “INPUT” and “COMMON” terminals. This voltage is half wave rectified and applied across the trip capacitors, yielding an output trip voltage. The charge stored in these capacitors is available between “+” and “COMMON” terminals for the breaker trip coil operation. The half wave rectification circuitry provides the advantage of maintaining a common neutral connection from the input and output while still maintaining the charge in the capacitor after a loss of control power.

These devices are protected against inadvertent short circuits, input from line voltage surges and inductive kickback from trip coils.



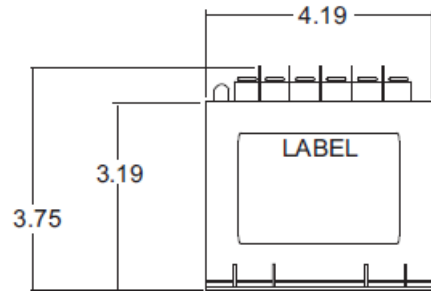
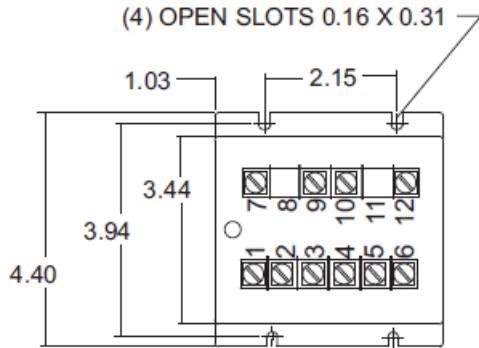
How to Order:

Basic Model	Input Voltage	LED Color	Remote LED (Optional)
CTD-5	120 Volt	G = Green	E = Remote LED
	240 Volt	Blank = Red	Blank = LED on case
CTD-5	XXX-	X-	X

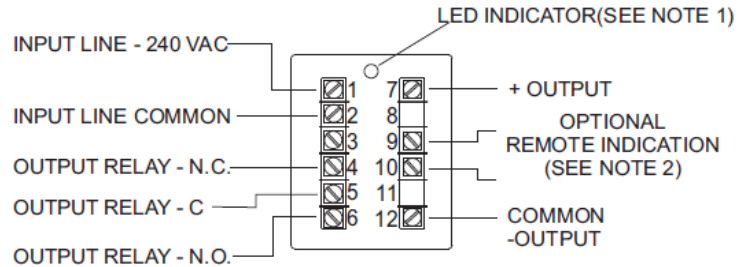
SPECIFICATIONS	CTD-5-120	CTD-5-240
Normal Input Voltage	120 VAC	240 VAC
Max. Input Voltage	140 VAC	280 VAC
Frequency	DC to 400Hz	DC to 400 Hz
Available Energy	64 joules	57 joules
Trip Capacitor fully charged at Normal Input Voltage	+/- 20% @25 Deg. C	+/-20% @25 Deg. C
Normal Output Voltage	169 Volts DC	338 Volts DC
Approx. Charge Time to 90% @ 25C	1.4 Sec.	570mS
Capacitance	4500uF	990 uF
Temp. Influence on Capacitor	+/-20% @25 Deg	+/-20% @Deg C
Ambient Operating Temperature	-10% @-30 Deg. C/+5% @60 Deg. C	
Ambient Storage Temperature	-30 Deg. C to 60 Deg. C	
Short Circuit Protection	-50 Deg. C to 80 Deg. C	
Mounting	Continuous	
Input Transient Protection	Vertical or Horizontal	
	MOV protected to 65 joules single pulse transient	
Output Contact Rating	Resistive: 5A, 250 VAC	5A, 30VDC
	Inductive: 2A, 250VAC 1/6 HP, 120VAC 1/3 HP, 240 VAC	3A, 30VDC

CAPACITOR TRIP DEVICE

Model CTD-5 (120 VAC or 240 VAC)



TYPICAL CONNECTION DIAGRAM



NOTES:

1. The output contacts are shown in the de-energized condition. Contacts will pick up when input and output voltage is present. If the output DC voltage drops below 85% of the expected operating level or the input voltage is lost, the contacts will change state and the LED indicator will no longer be illuminated.
2. Terminals 9 and 10 are for remote LED indication. (To utilize remote indication, install remote LED wiring with cathode to terminal 10 and anode to terminal 9)
3. TDR is temperature dependent resistor.

CTD SCHEMATIC

